

ASSEMBLY AND OPERATING INSTRUCTIONS



CONTENTS

I About The Product

1-1 Product Information 2

1-2 Parts List 6

III Appendix

3-1 Disclaimer 14

3-2 After-sales Service 15

3-3 More Products 16

II Installation

2-1 Safety Tips 7

2-2 User's Manual 8

2-3 Assembly Steps 9



Product Information

Product Name	Patio Umbrella
Fabric Material	Polyester
Frame Material	Iron
Shape	Round

6-Rib Basic



UB12

6-Rib with Valance



UB24

6-Rib with Solar LED



UB25

8-Rib Basic



8-Rib with Valance



8-Rib with Solar LED



8-Rib 3-Tier



UB01

**8-Rib 3-Tier
with Solar LED**



UB07

5-Rib Half



UB08

**5-Rib
with Solar LED**



UB028



1 PERSON



5 MIN ASSEMBLY

Parts List

Part#	Qty	Part#	Qty
A	1	B	1

A 3D rendering of two pencils. On the left is a bundle of several light-colored wooden pencils, labeled 'A'. On the right is a single black pencil, labeled 'B'.

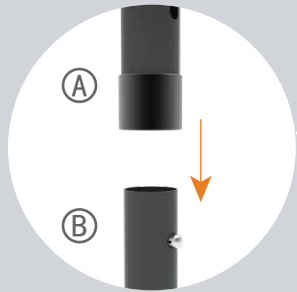
Safety Tips

1. Please read this manual thoroughly and carefully before assembling and using the item, follow all instructions and keep the manual for future reference.
2. Proper use of the item includes observing the safety instructions in this manual and the information on the proper use of the item outdoors and for private purposes.
3. If any parts are missing, broken, damaged or worn, do not use this product until repairs have been made and/or factory replacement parts have been installed.
4. Do not use this item in a way not recommended by the manufacturer, as any damage caused will not be covered by the warranty.
5. Non-compliance with the general and safety instructions in this manual may result in personal injury and/or serious damage to the item. We shall not be liable for any such loss.
6. Place the item on a stable and level surface.
7. Do not use or store this item close to open flames or flammable/combustible chemicals.
8. Be careful not to pinch hands or appendages during assembly.
9. Do not attempt to assemble this item under the following circumstances: drunk, inclement weather, lack of tools or parts.
10. For residential use only.

User's Manual

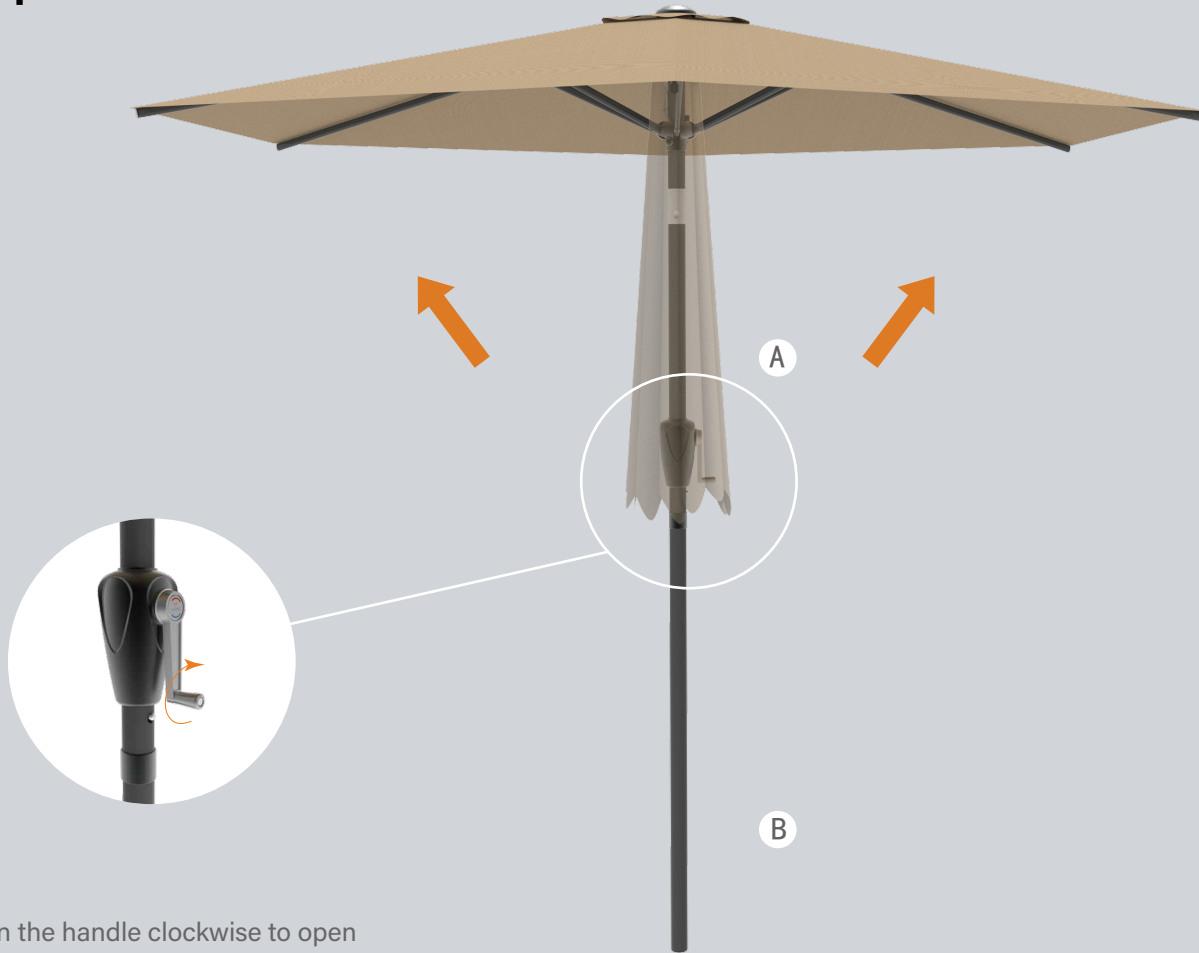
1. The assembly steps in this manual are based on UB12 and UB25 as an example.
2. Umbrella weight base is not included.
3. Do not use this umbrella without weight base.
4. Umbrella is suitable for rain showers and light wind.
5. Do not use umbrella in inclement weather, such as snow, heavy rain, thunderstorms, or strong wind.
6. Always remove umbrella from its stand or table when not in use.
7. Close the canopy when umbrella is not in use.
8. Grip the handle and pull the arm down fully, then secure the canopy with the attached touch fastener.
9. Store in a dry area sheltered from the weather.
10. If you have purchased an item that contains a solar panel, please note the following:
 - (1) Do not immerse the solar panel in corrosive liquids as this will damage it.
 - (2) Do not scratch the surface of the solar panel with sharp objects.
 - (3) Please place the solar panel facing up in direct sunlight to ensure the best photoelectric conversion effect.
 - (4) Non-professionals should not open the shell to avoid hazards.

Step 1



Insert part A downwards into part B.

Step 2



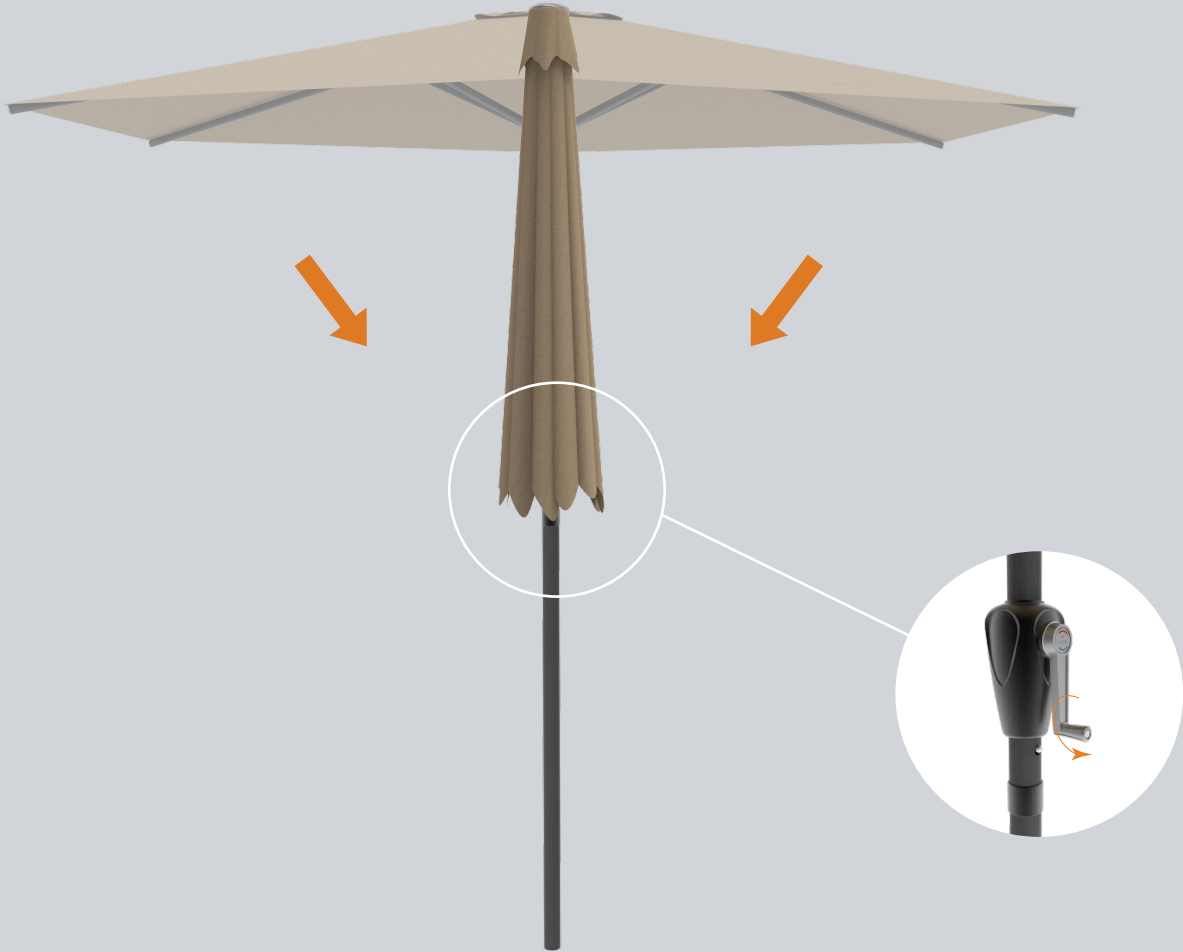
Turn the handle clockwise to open the umbrella.

Step 3



Press the button to adjust the angle of part A.

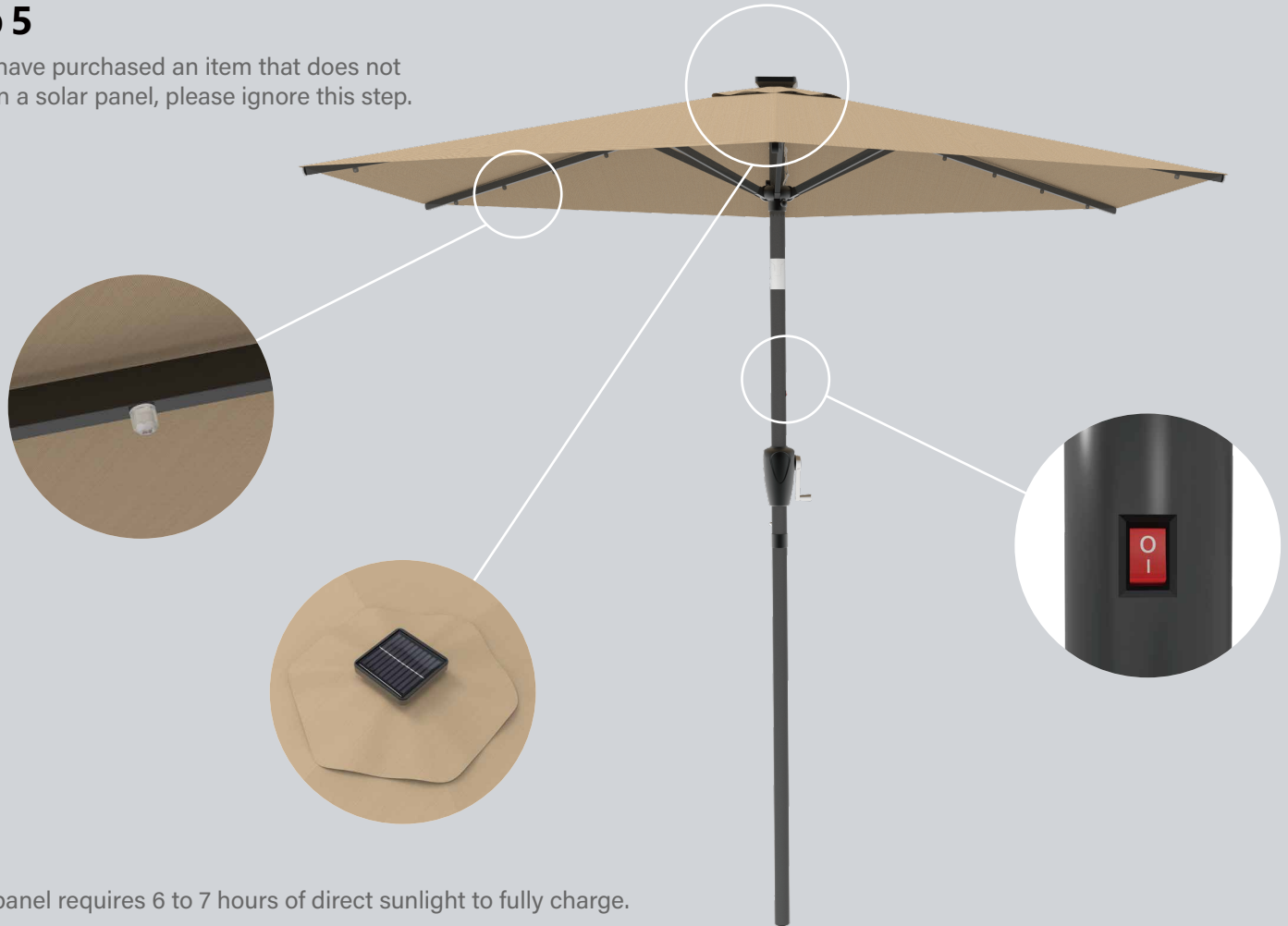
Step 4



Turn the handle counterclockwise to close the umbrella.

Step 5

If you have purchased an item that does not contain a solar panel, please ignore this step.



Solar panel requires 6 to 7 hours of direct sunlight to fully charge.
Turn on the switch to turn on the LED lights.

Disclaimer

Thank you for choosing to use our product! In order to protect your safety and the safety of others, please read and strictly abide by the following regulations.

1. This item is for private use only, and may not be used for illegal or infringing activities.
2. Please read the product manual carefully before use and follow the instructions for installation, use and maintenance. If you have any questions, please contact our customer service.
3. During use, please pay attention to safety and follow the product instructions and safety tips to avoid accidents.
4. If the item is damaged due to its own reasons, please contact our customer service.
5. If the item can not be used normally due to force majeure, we are not responsible for the losses incurred.
6. Please take good care of the product manual, we will not be responsible for the loss or damage caused by the normal use of the product.
7. Please make sure that your use of the item will not affect the normal life and work of other people.
8. Please observe the local laws and regulations and set up and use the item according to the rules. If there are special requirements in the local laws and regulations, please make sure to follow the requirements to use the item.
9. Please pay attention to the surrounding environment during the assembly and use of the item to avoid causing damage to the surrounding buildings, facilities and natural environment.
10. Please check the structure and safety condition of the item regularly and repair or replace it promptly if any abnormality is found. If you are not sure how to carry out inspection or repair, please contact our customer service.

We sincerely hope that you can fully enjoy the comfort and convenience when using the item, and at the same time ensure the safety of you and others. If you encounter any problems during the use, please feel free to contact our customer service, we will be happy to serve you.

After-sales Service

About returns and refunds

Items shipped from Amazon.com, including Amazon Warehouse, can be returned within 30 days of delivery. You can visit the Amazon's Customer Service homepage to get help: <https://www.amazon.com/returns>

Items shipped from our shop, also can be returned within 30 days of delivery. If the reason for return is a result of an error or a damage on product, we will provide a pre-paid shipping label. If the reason for return is personal dislike or improper size, you need afford the extra returning fee.

Pictures may be required for some returns to ensure an item is not damaged prior to its return.

Product Support

The warranty of our product is ONE YEAR after-sale protection for frame, SIX MONTHS after-sale protection for fabrics and accessories (not include damage caused by improper personal use and bad weather). If you need help with using your product or if it doesn't work correctly, please feel free to contact us through Amazon. Pictures or videos may be required to ensure which part is damaged or doesn't work.

MORE PRODUCTS



TA55



CT07



TP10



UB03

MORE PRODUCTS



UB02



AJ18



TB51



AJ01

MORE PRODUCTS



TP01



SK01



UB04



TD42



Embrace the Joys of Life

