

ASSEMBLY AND OPERATING INSTRUCTIONS



CONTENTS

I About The Product

1-1 Product Information 2

1-2 Parts List 3

III Appendix

3-1 Disclaimer 17

3-2 After-sales Service 18

3-3 More Products 19

II Installation

2-1 Safety Tips 5

2-2 User's Manual 6

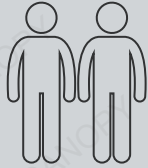
2-3 Attention 6

2-4 Assembly Steps 7



Product Information

Product Name	Patio Umbrella
Model Name	UL80
Fabric Material	Acrylic
Handle Material	Aluminum
Frame Material	Aluminum
Style	2 Tier
Shape	Square



2 PERSON



10-20 MIN ASSEMBLY



HAMMER

Parts List

Part#	Qty	Part#	Qty
A	1	E	8
B	1	F	8
C	1	G	1
D	1	H	1



Parts List

Part#	Qty	Part#	Qty
I	1	N $\Phi 6$	2
J	2	O	1
K	1	P	2
L	1	Q	4
M M6	2	R	4

Screw R is on rib Q

Safety Tips

1. Please read this manual thoroughly and carefully before assembling and using the item, follow all instructions and keep the manual for future reference.
2. Proper use of the item includes observing the safety instructions in this manual and the information on the proper use of the item outdoors and for private purposes.
3. If any parts are missing, broken, damaged or worn, do not use this product until repairs have been made and/or factory replacement parts have been installed.
4. Do not use this item in a way not recommended by the manufacturer, as any damage caused will not be covered by the warranty.
5. Non-compliance with the general and safety instructions in this manual may result in personal injury and/or serious damage to the item. We shall not be liable for any such loss.
6. Place the item on a stable and level surface.
7. Do not use or store this item close to open flames or flammable/combustible chemicals.
8. Be careful not to pinch hands or appendages during assembly.
9. Do not attempt to assemble this item under the following circumstances: drunk, inclement weather, lack of tools or parts.
10. For residential use only.

User's Manual

1. Umbrella weight base is not included.
2. Do not use this umbrella without weight base. Recommended weight: >200 lbs.
3. Umbrella is suitable for rain showers and light wind.
4. Do not use umbrella in inclement weather, such as snow, heavy rain, thunderstorms, or strong wind.
5. Always remove umbrella from its stand or table when not in use.
6. Firmly secure all bolts, screws and knobs before use.
7. Reconfirm that all bolts, screws, and knobs are secure every 90 days.
8. Close the canopy when umbrella is not in use.
9. Grip the handle and pull the arm down fully, then secure the canopy with the attached touch fastener.
10. Store in a dry area sheltered from the weather.

Attention

If you purchased the product in 9x9 FT (2.7 M) size, please ignore parts Q and R in the parts list, and steps 7 and 8 in the assembly steps.

Step 1

A

X1



B

X1



D

X1



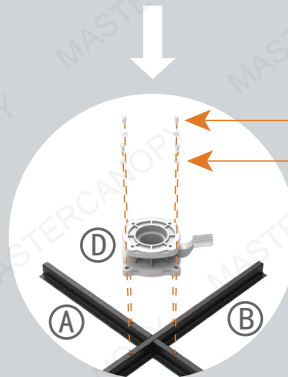
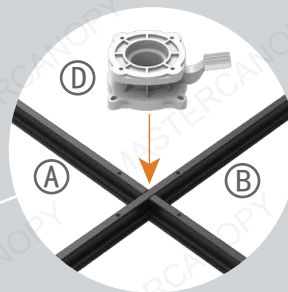
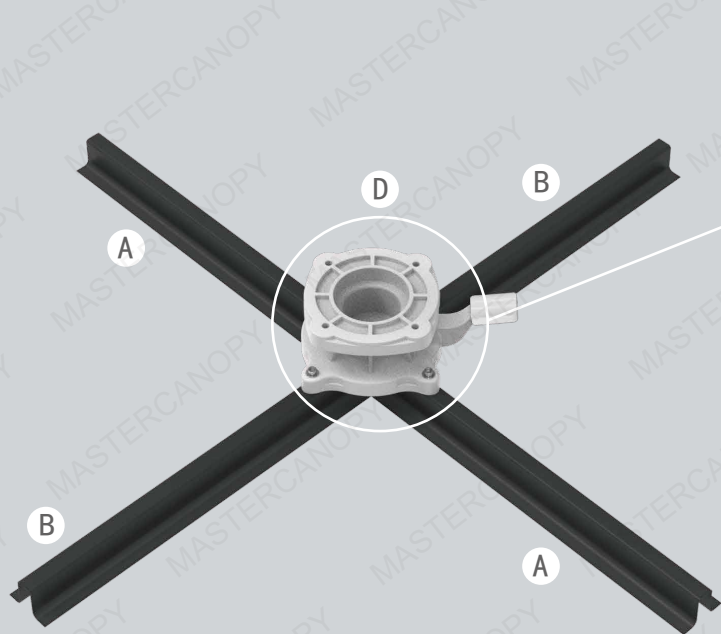
E

X4



F

X4



Step 2

C

X1



G

X1



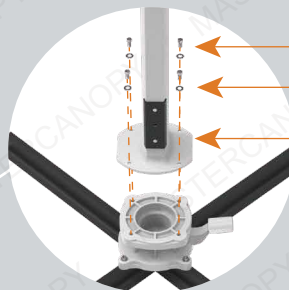
E

X4



F

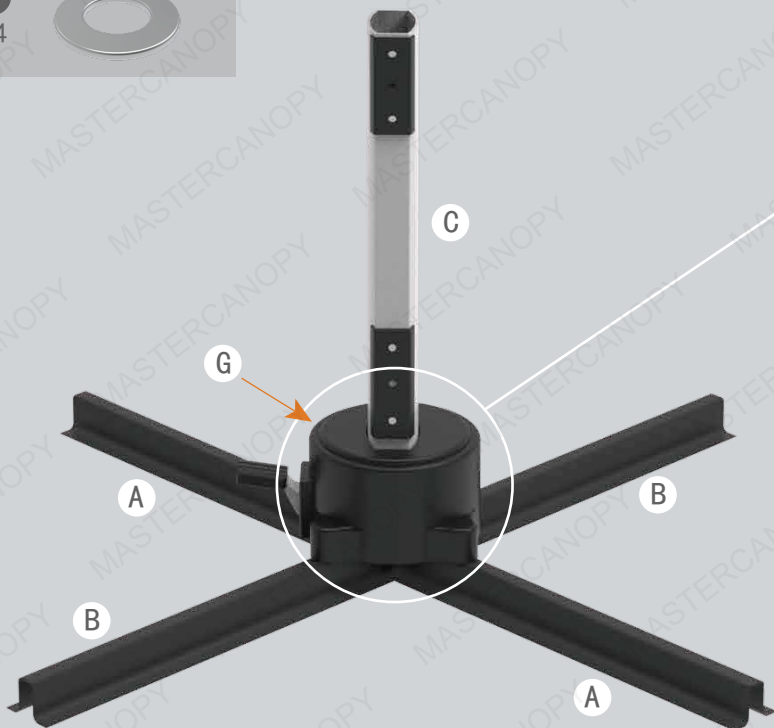
X4



E

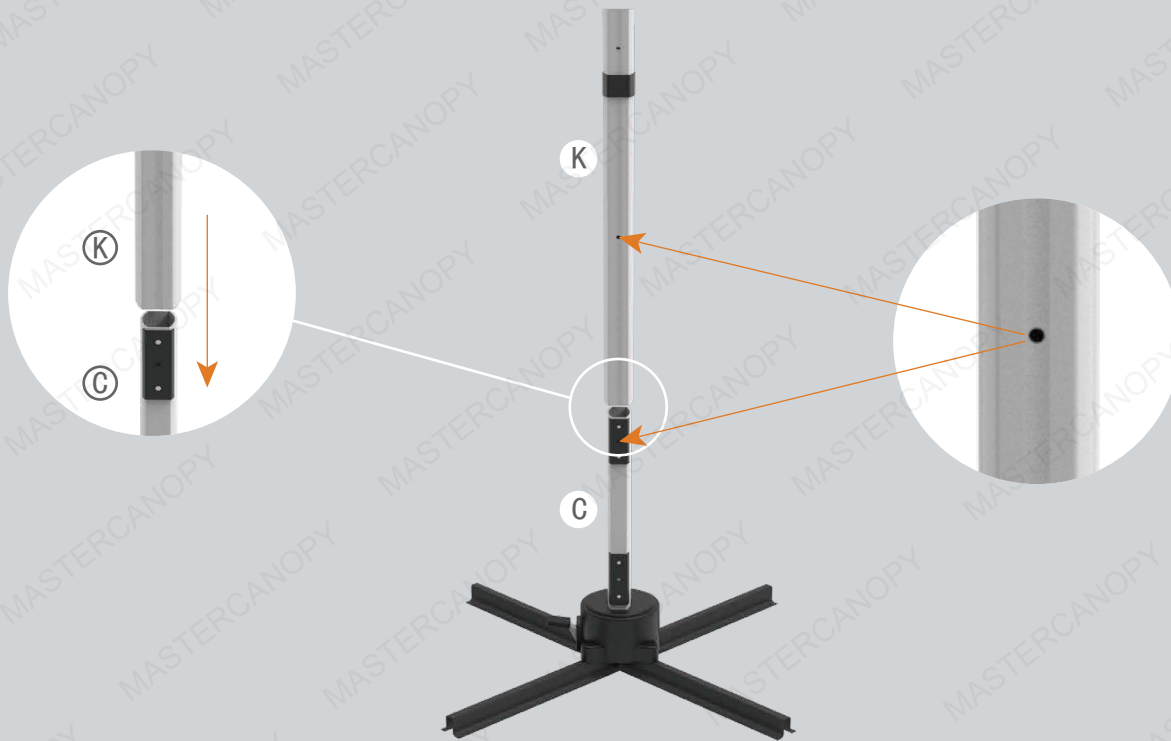
F

C



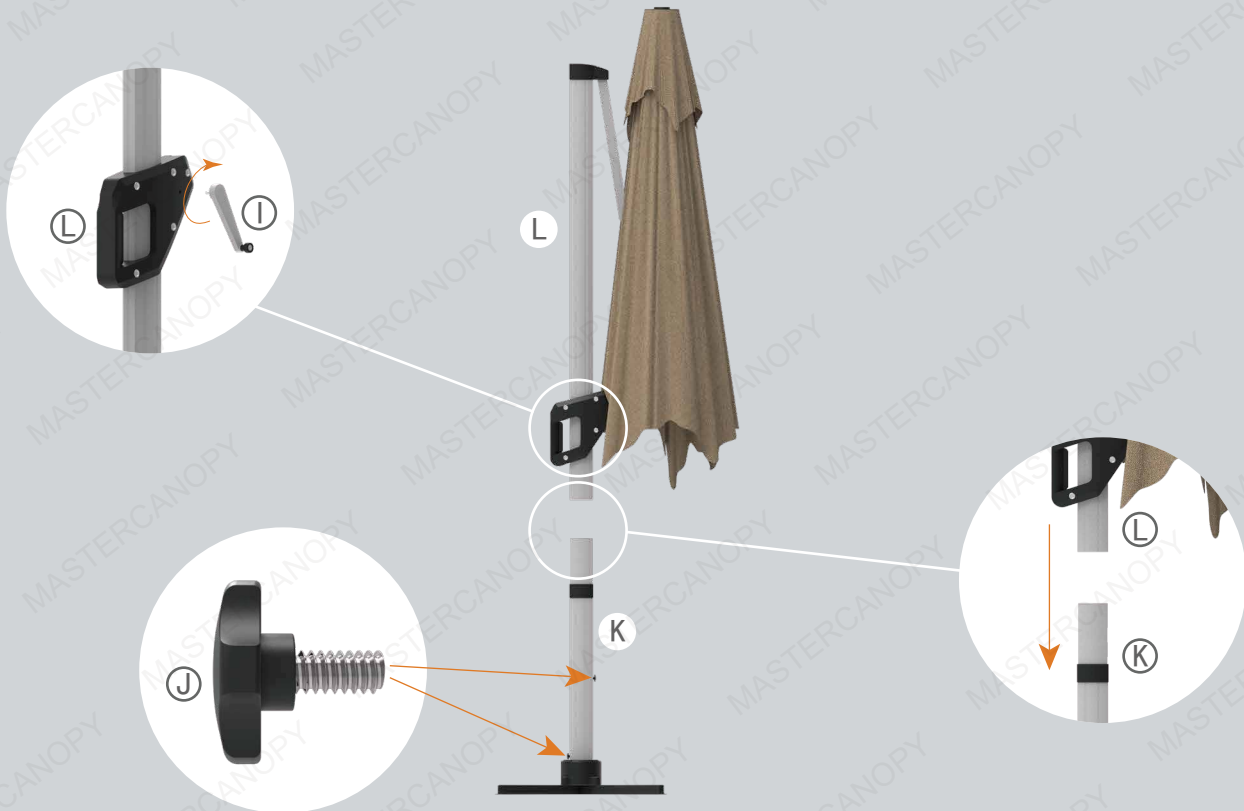
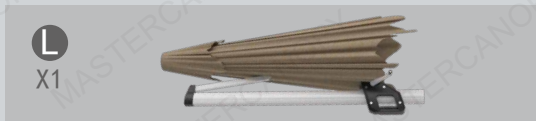
G

Step 3

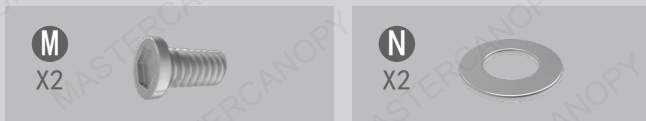


To assemble part K,
please ensure that the holes line up.

Step 4

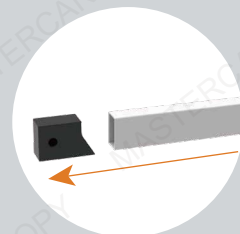
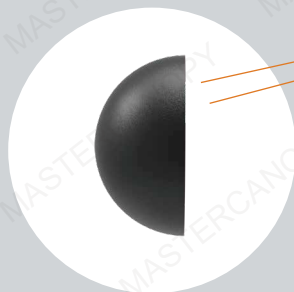


Step 5



Please open the umbrella slightly before first use and remove the bubble wrap that protects the ribs.

Step 6



Please remove the plastic protective cover before installing part Q.
For aesthetic reasons, please cover part M with part P.

Step 7

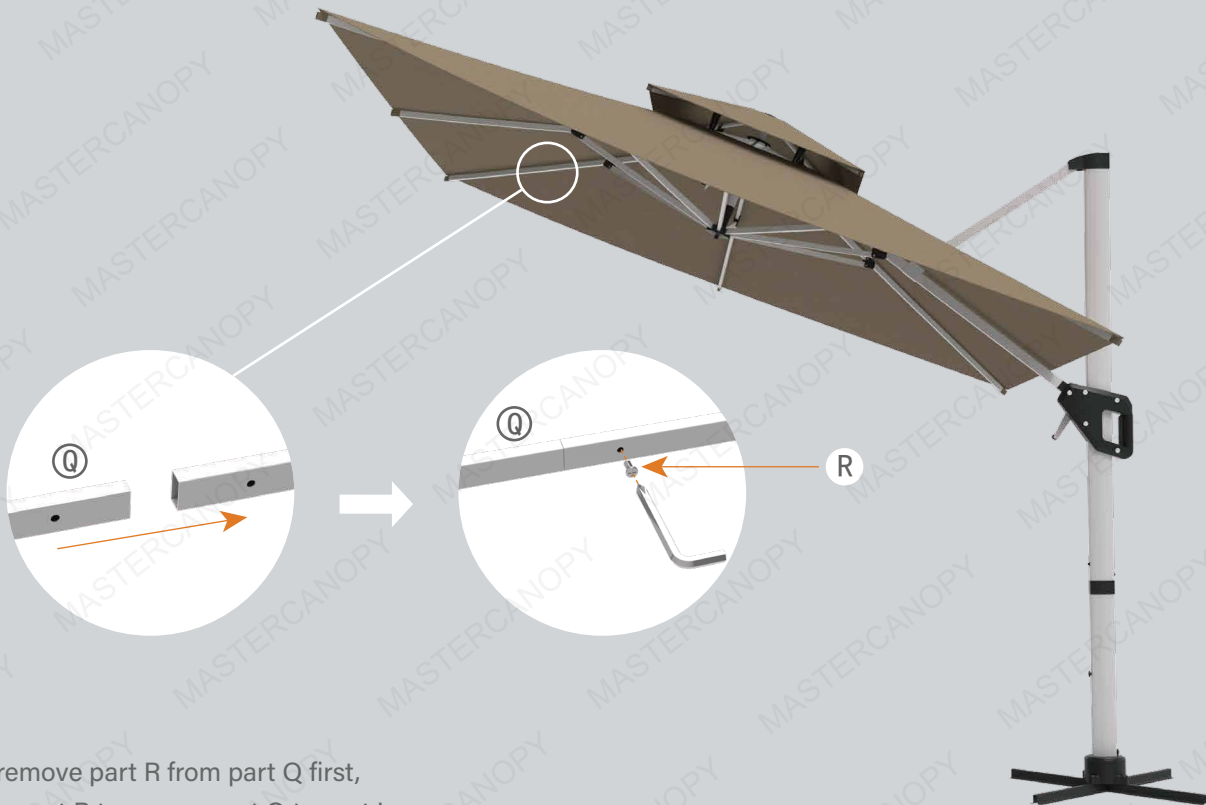
Q

X4



R

X4



Please remove part R from part Q first,
then use part R to secure part Q to part L.

Step 8



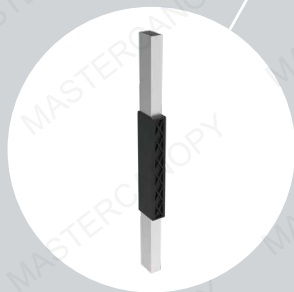
Please ensure that the zip is fully closed to prevent the umbrella cover from falling out.

Step 9

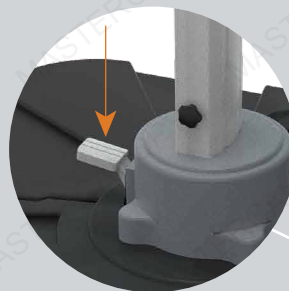


Please ensure that the thread is not exposed to prevent it from wearing out and shortening the life of the umbrella.

Step 10



the umbrella ribs' reinforcement cover



The structure here is specially designed for a 3-degree tilt to enhance the stability of the umbrella. Please don't mistake the product for a defect.



Disclaimer

Thank you for choosing to use our product! In order to protect your safety and the safety of others, please read and strictly abide by the following regulations.

1. This item is for private use only, and may not be used for illegal or infringing activities.
2. Please read the product manual carefully before use and follow the instructions for installation, use and maintenance. If you have any questions, please contact our customer service.
3. During use, please pay attention to safety and follow the product instructions and safety tips to avoid accidents.
4. If the item is damaged due to its own reasons, please contact our customer service.
5. If the item can not be used normally due to force majeure, we are not responsible for the losses incurred.
6. Please take good care of the product manual, we will not be responsible for the loss or damage caused by the normal use of the product.
7. Please make sure that your use of the item will not affect the normal life and work of other people.
8. Please observe the local laws and regulations and set up and use the item according to the rules. If there are special requirements in the local laws and regulations, please make sure to follow the requirements to use the item.
9. Please pay attention to the surrounding environment during the assembly and use of the item to avoid causing damage to the surrounding buildings, facilities and natural environment.
10. Please check the structure and safety condition of the item regularly and repair or replace it promptly if any abnormality is found. If you are not sure how to carry out inspection or repair, please contact our customer service.

We sincerely hope that you can fully enjoy the comfort and convenience when using the item, and at the same time ensure the safety of you and others. If you encounter any problems during the use, please feel free to contact our customer service, we will be happy to serve you.

After-sales Service

About returns and refunds

Items shipped from Amazon.com, including Amazon Warehouse, can be returned within 30 days of delivery. You can visit the Amazon's Customer Service homepage to get help: <https://www.amazon.com/returns>

Items shipped from our shop, also can be returned within 30 days of delivery. If the reason for return is a result of an error or a damage on product, we will provide a pre-paid shipping label. If the reason for return is personal dislike or improper size, you need afford the extra returning fee.

Pictures may be required for some returns to ensure an item is not damaged prior to its return.

Product Support

The warranty of our product is ONE YEAR after-sale protection for frame, SIX MONTHS after-sale protection for fabrics and accessories (not include damage caused by improper personal use and bad weather). If you need help with using your product or if it doesn't work correctly, please feel free to contact us through Amazon. Pictures or videos may be required to ensure which part is damaged or doesn't work.

MORE PRODUCTS



TA55



CT07



TP10



UB03

MORE PRODUCTS



UB02



AJ18



TB51



TD42

MORE PRODUCTS



TP01



SK01



UB04



AJ01

MORE PRODUCTS



TP16



PD01



UB09



TB51

Embrace the Joys of Life

