

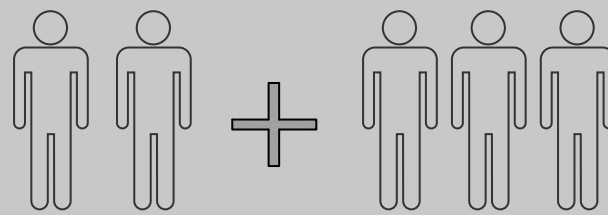


11'x 11' Outdoor Hardtop
Wood Framed Gazebo



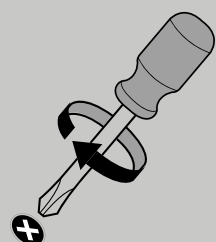
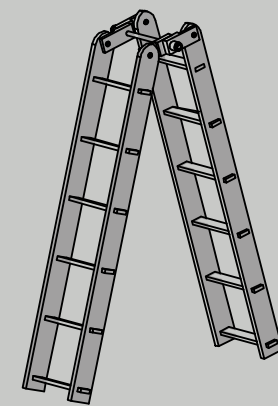
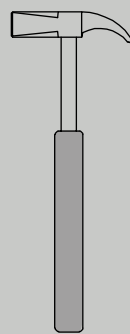
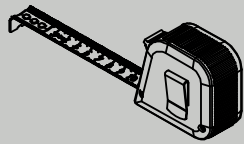
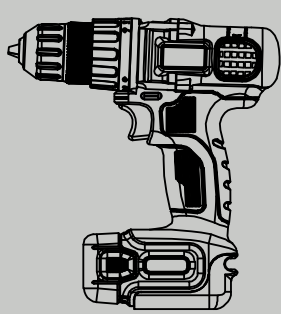
**ASSEMBLY AND OPERATING
INSTRUCTIONS**

Recommended number



Needed for assembly

(The following tools are not included)











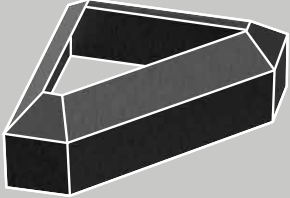


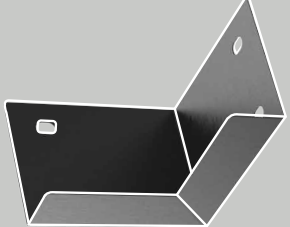
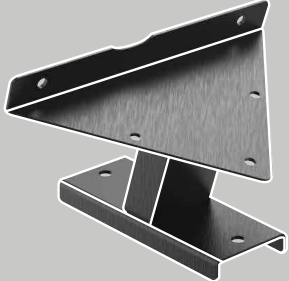
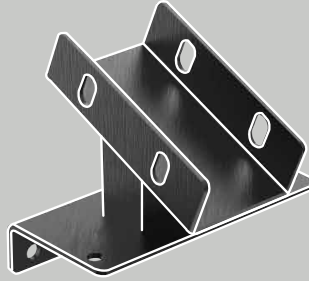
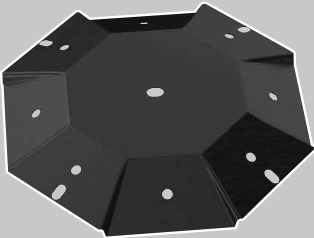


Installation Tips



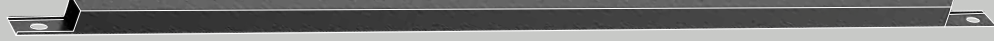
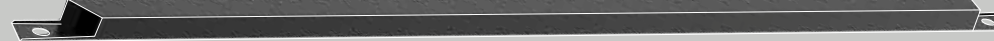
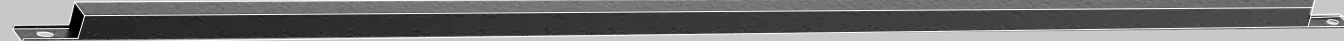
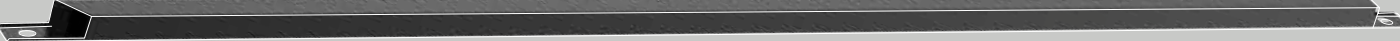


(Do not fully tighten the screws)

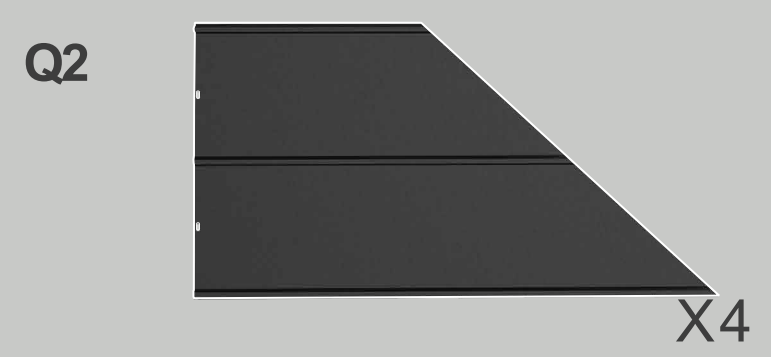
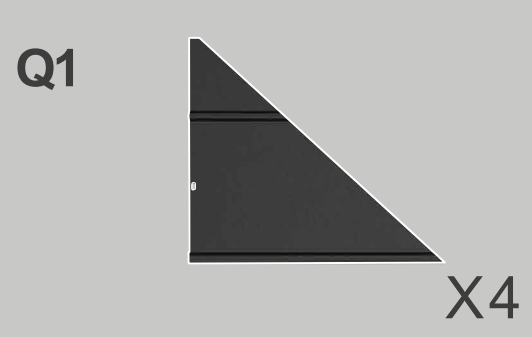
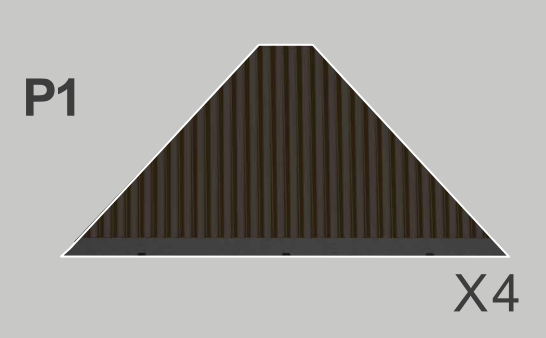
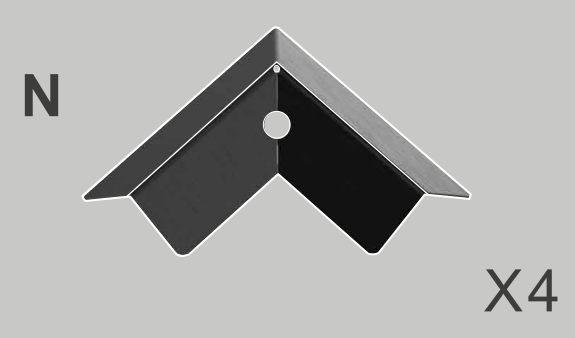
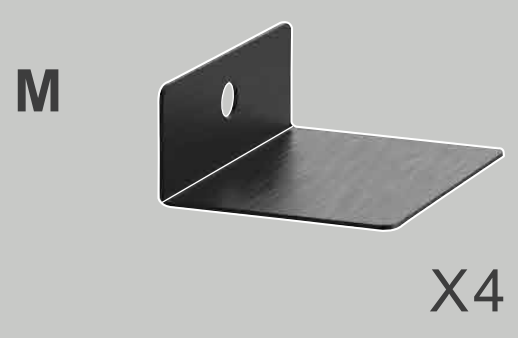
- 1.** When assembling **Step 7**, please do not fully tighten the EE/AA of E, until one side of wood post and beams are completely assembled(Step 8).
- 2.** When assembling **Step 10**, the EE/AA of E and D need to be loosened a bit, then tighten them once finishing assemble H2.
- 3.** When assembling **Step 14**, please do not fully tighten the II and HH, until all the top support parts (K-1, I-1, I-2, J) are completely assembled with the wood.
- 4.** When assembling **Step 16**, please do not fully tighten the OO/HH of M and N, until each L7 and L8 are connected. Then tighten BB.

Parts List

Part#		Qty
01		X4
02		X4
05		X4
06		X4
07		X4
08		X4
10		X4
11		X4
I-1		X4
I-2		X4
B		X4
C		X4
D		X4
E		X4
F		X4
G		X4
X2		X1

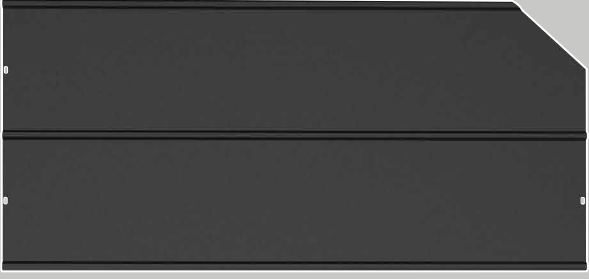
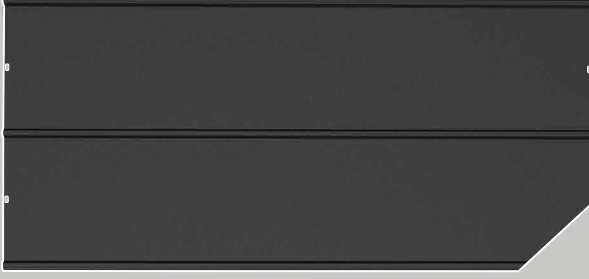


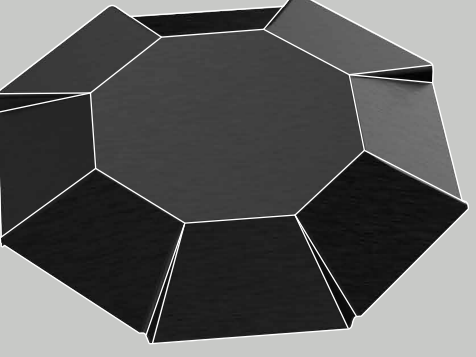




Parts List

Part#		Qty
J		X4
K-1		X4
L3-1		X4
L3-2		X4
L4-1		X4
L4-2		X4
L7		X4
L8		X4






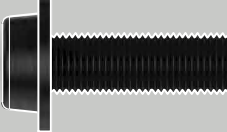

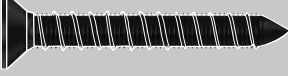
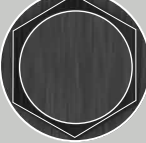
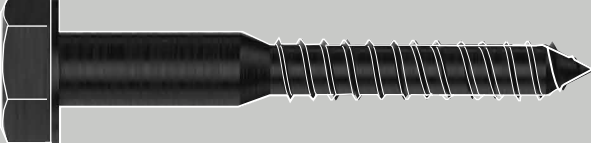

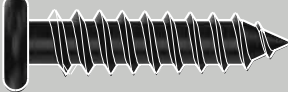



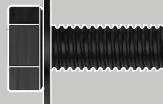













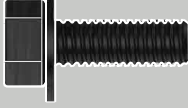




Parts List


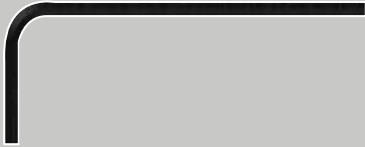


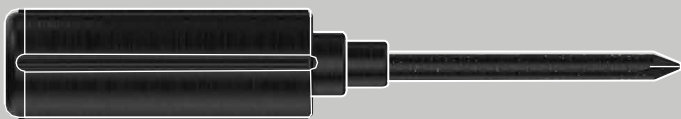
Part#

Q3		X4	Q5		X4
Q6		X4	Q7		X4
R2		X1	T		X1
S1		X4			
S2		X8			
H2		X8			




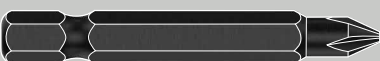

Parts List

Part#				Qty
AA	M10x135			8
BB	M5x30			48+2
CC	M8x25			24+1
DD	M5x40			56+2
EE	M10x70			8
FF	M8x35			16+1
GG	M8x35			16+1
HH	M6x16			100+3
II	M6x55			8
JJ	M10			8
KK	M6			9
LL	M8			16+1
MM	M6			9
NN	M8			Preassemble
OO	M6x20			4
PP	Ø8			12
Z1	Ø3			2

Parts List

Part#			Qty
Z2	M6		2
Z3	M8		1
Z4	M10		2
Z5	M10		1
Z6			1

Complimentary Parts

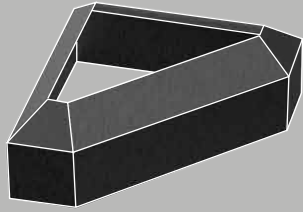
ZA		1
ZB		1
ZC		1
ZD		1
ZE		1

Step 1

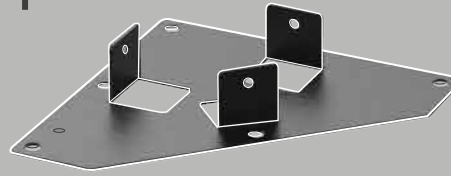
08 X4



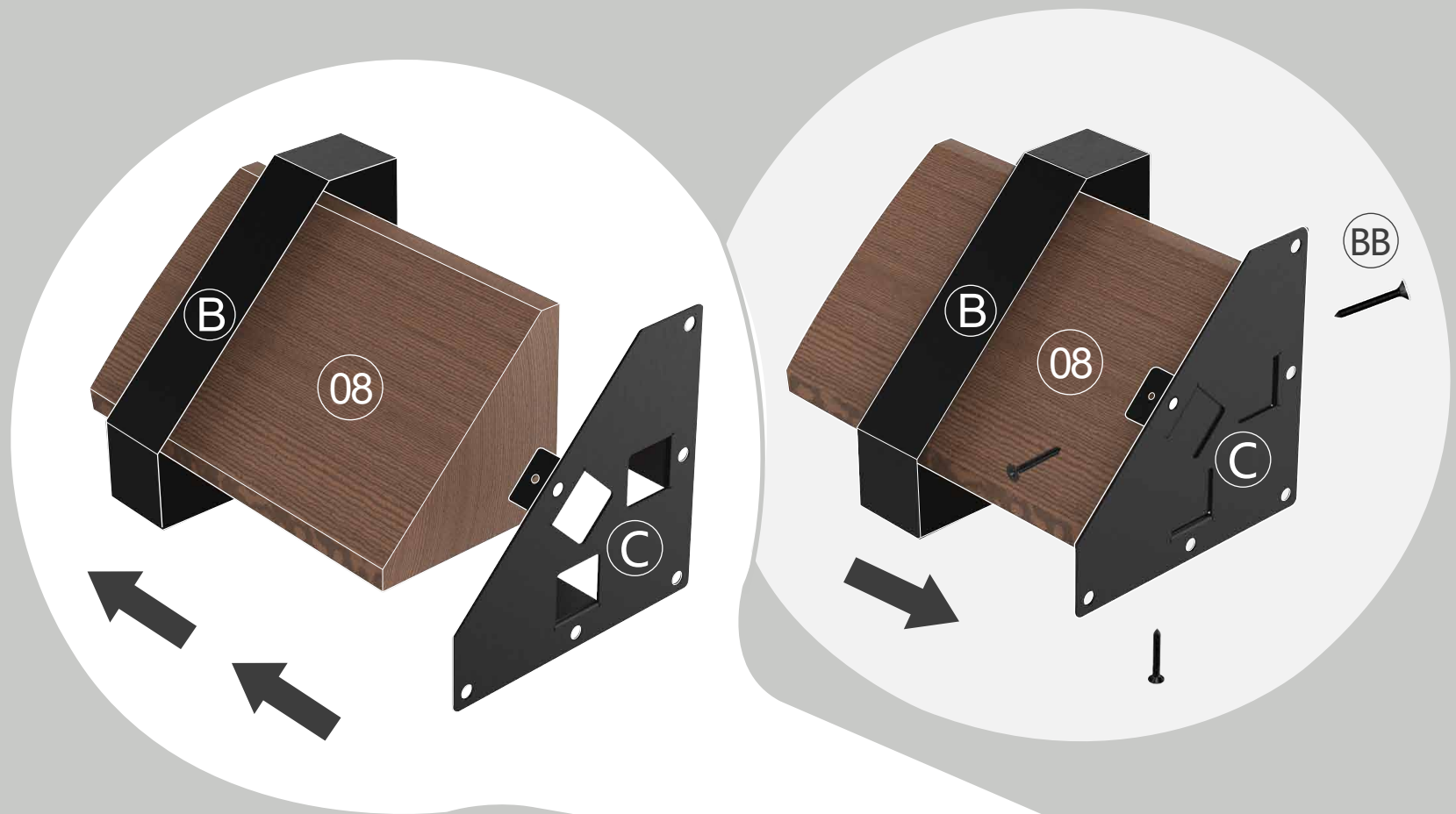
B X4



C X4



BB X12



Step 2

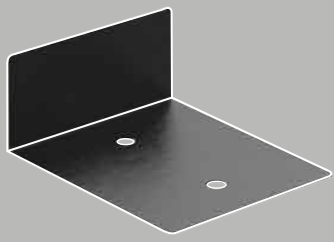
01
X4



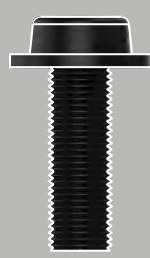
02
X4



D
X4



CC
X8



NN



02

D

01



Step 3

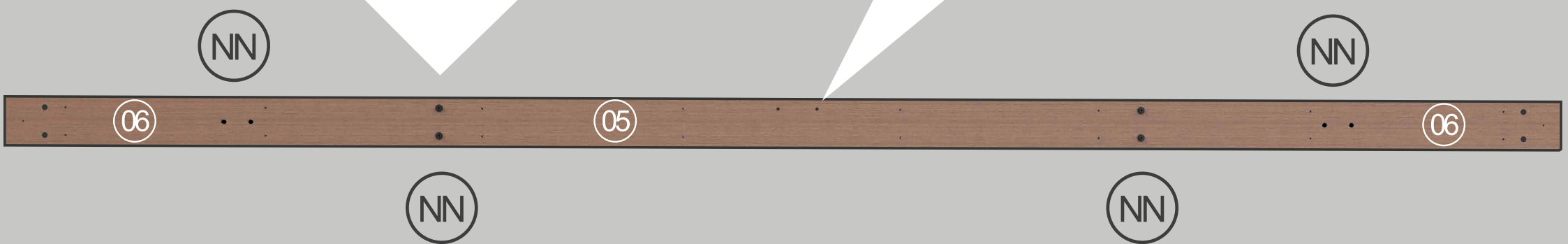
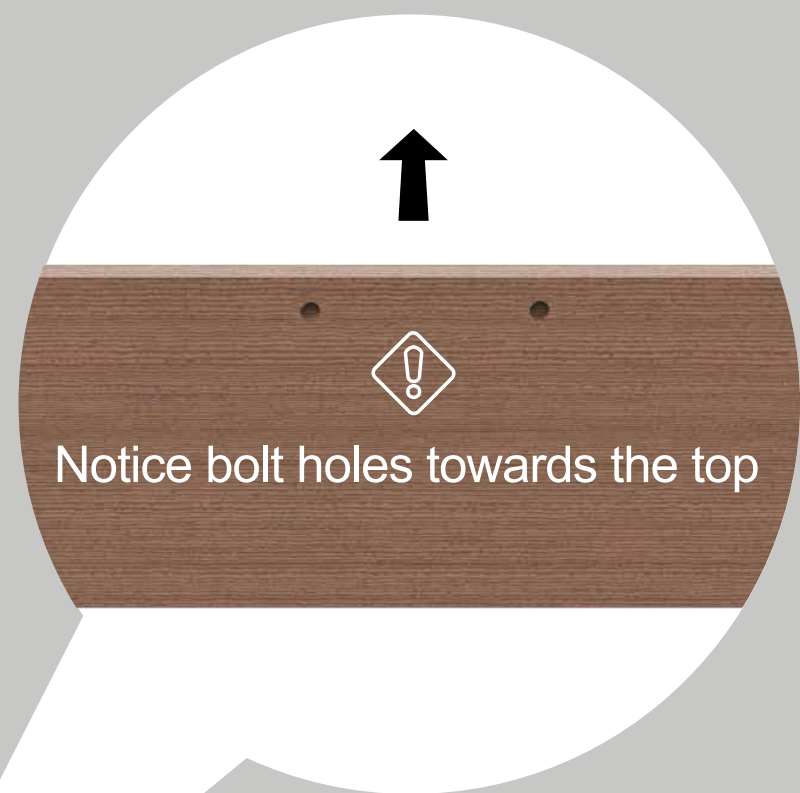
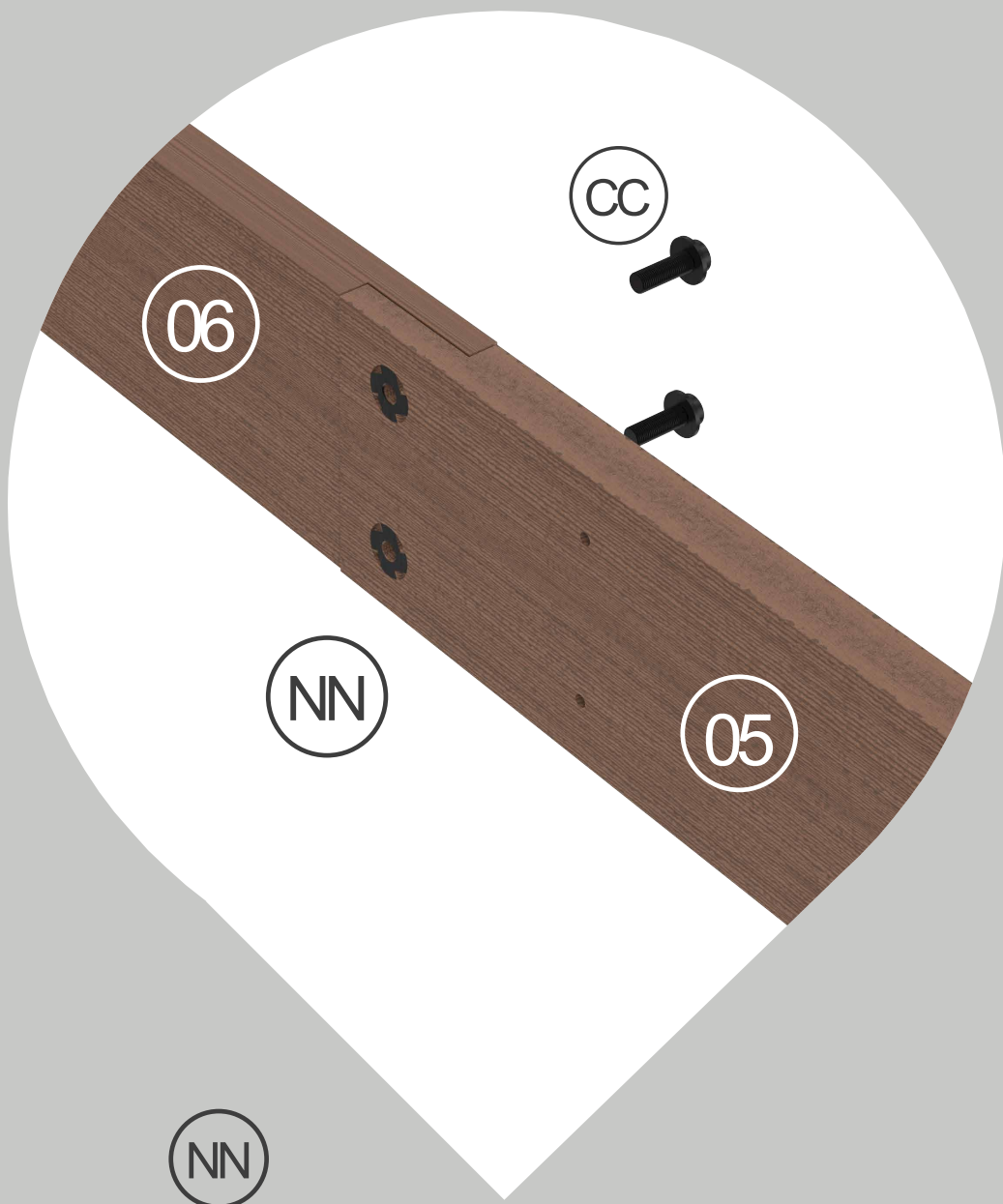
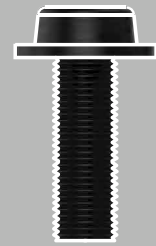
05
X2



06
X4

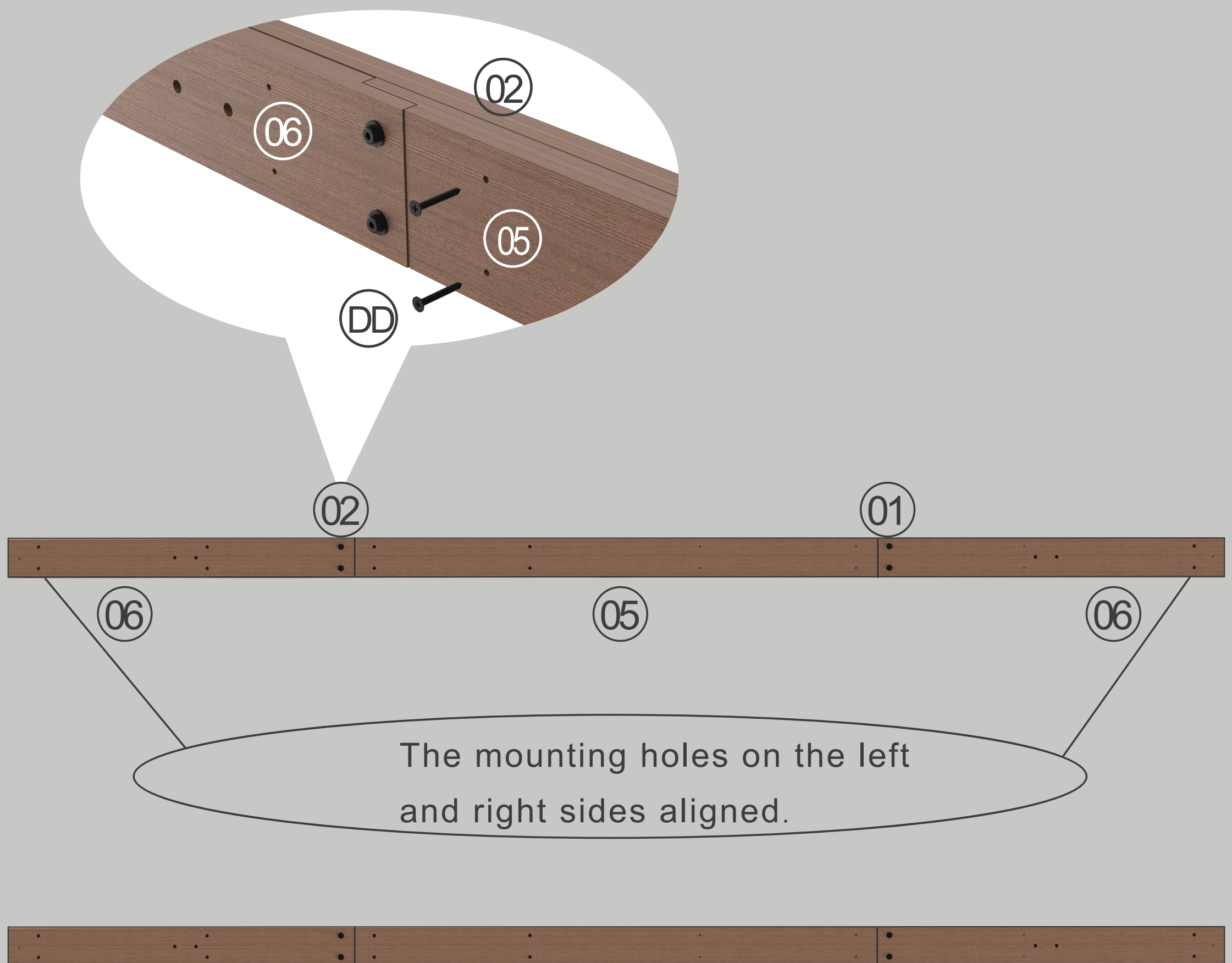
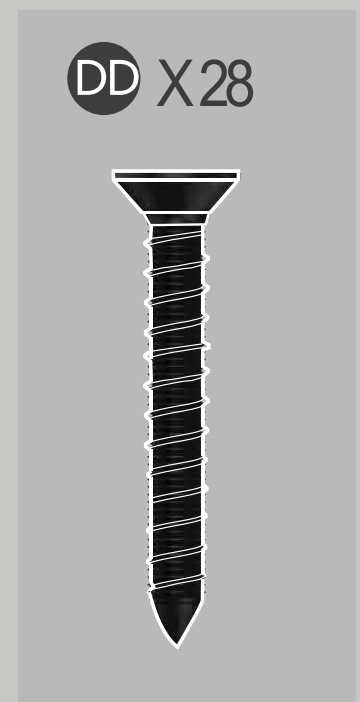


CC
X8



Step 4

Assemble the components installed in step 2 and Step 3, as shown in the following figure.



Step 5

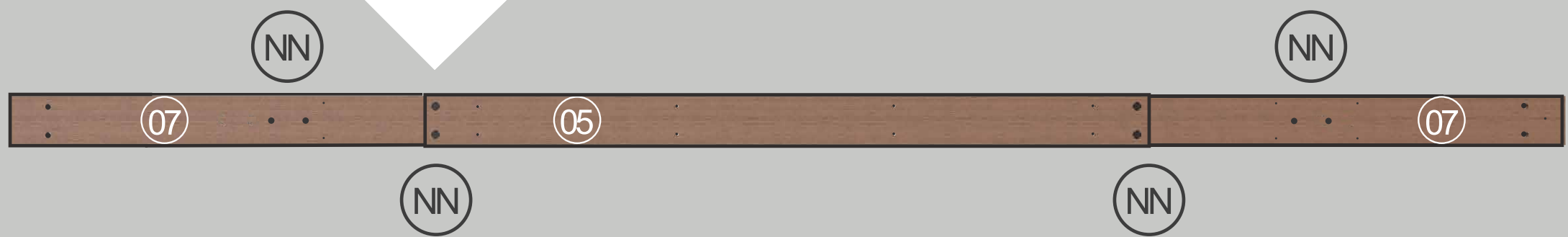
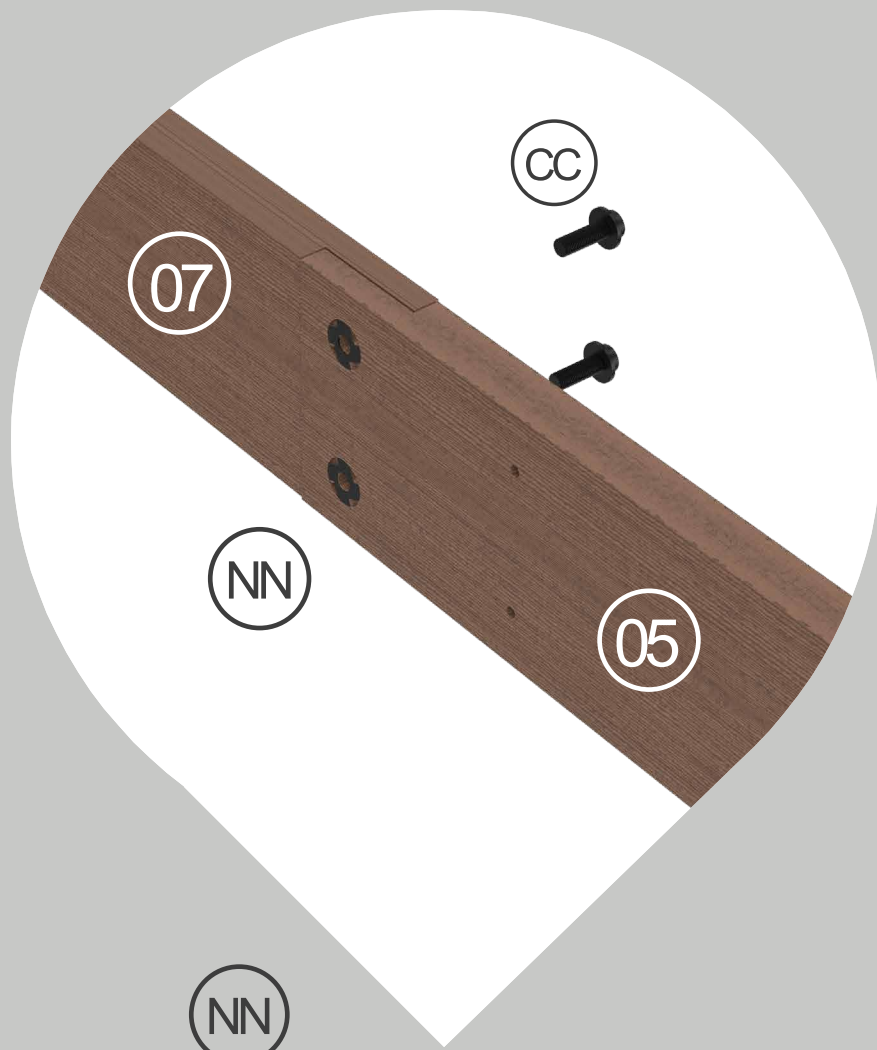
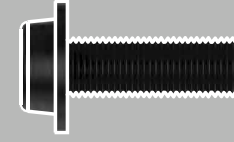
05
X2



07
X4

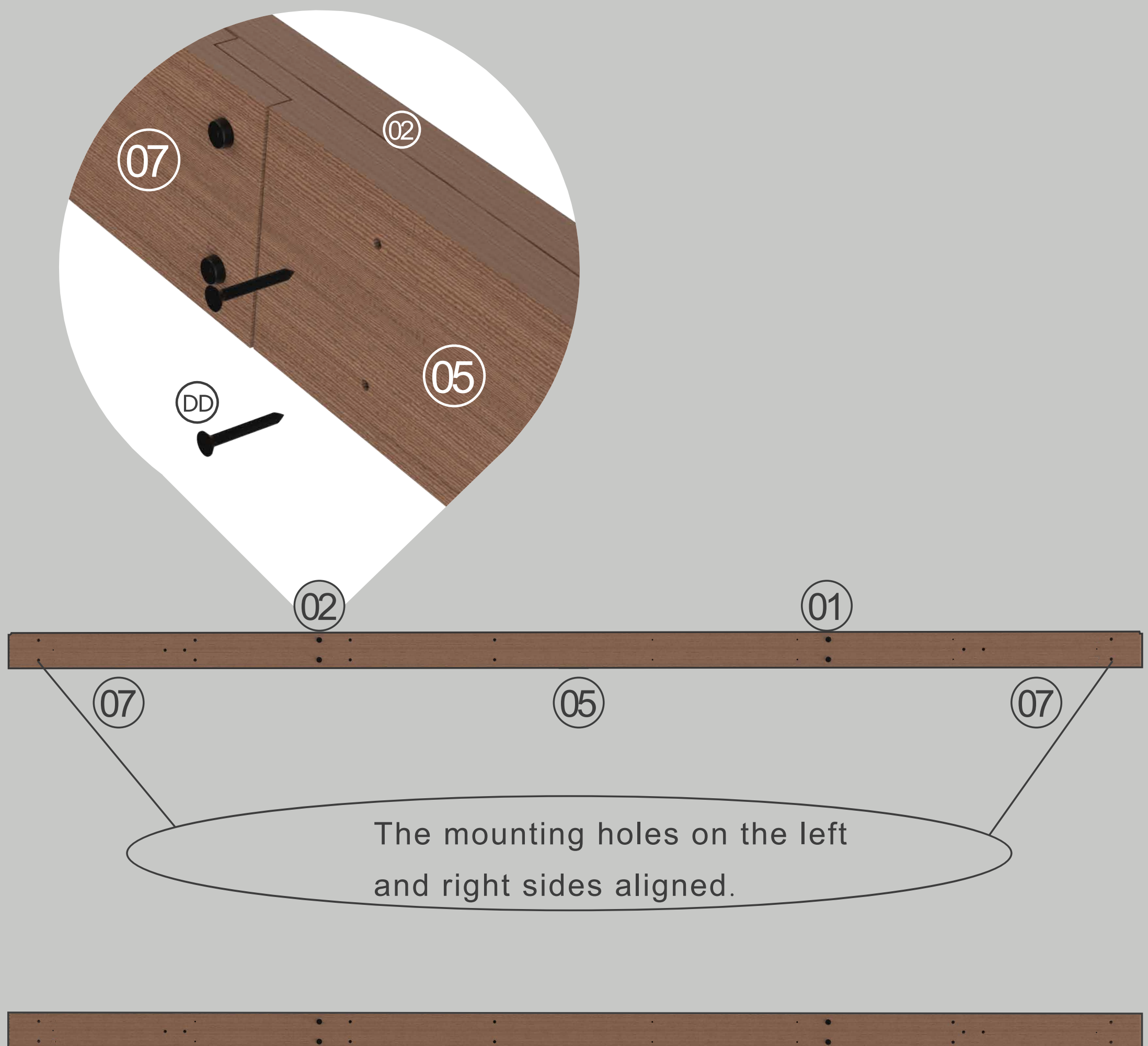
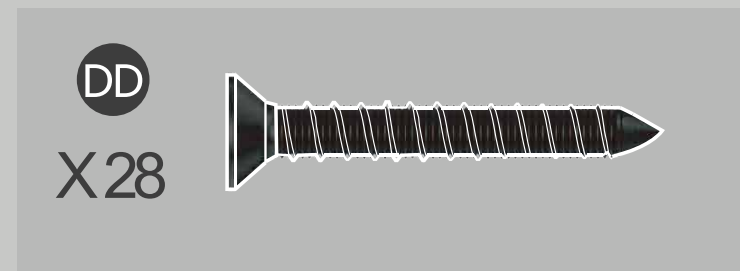


CC
X8



Step 6

Assemble the components installed in step 2 and Step 5, as shown in the following figure.



Step 7

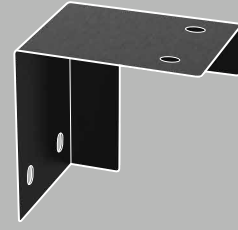
AA
X4



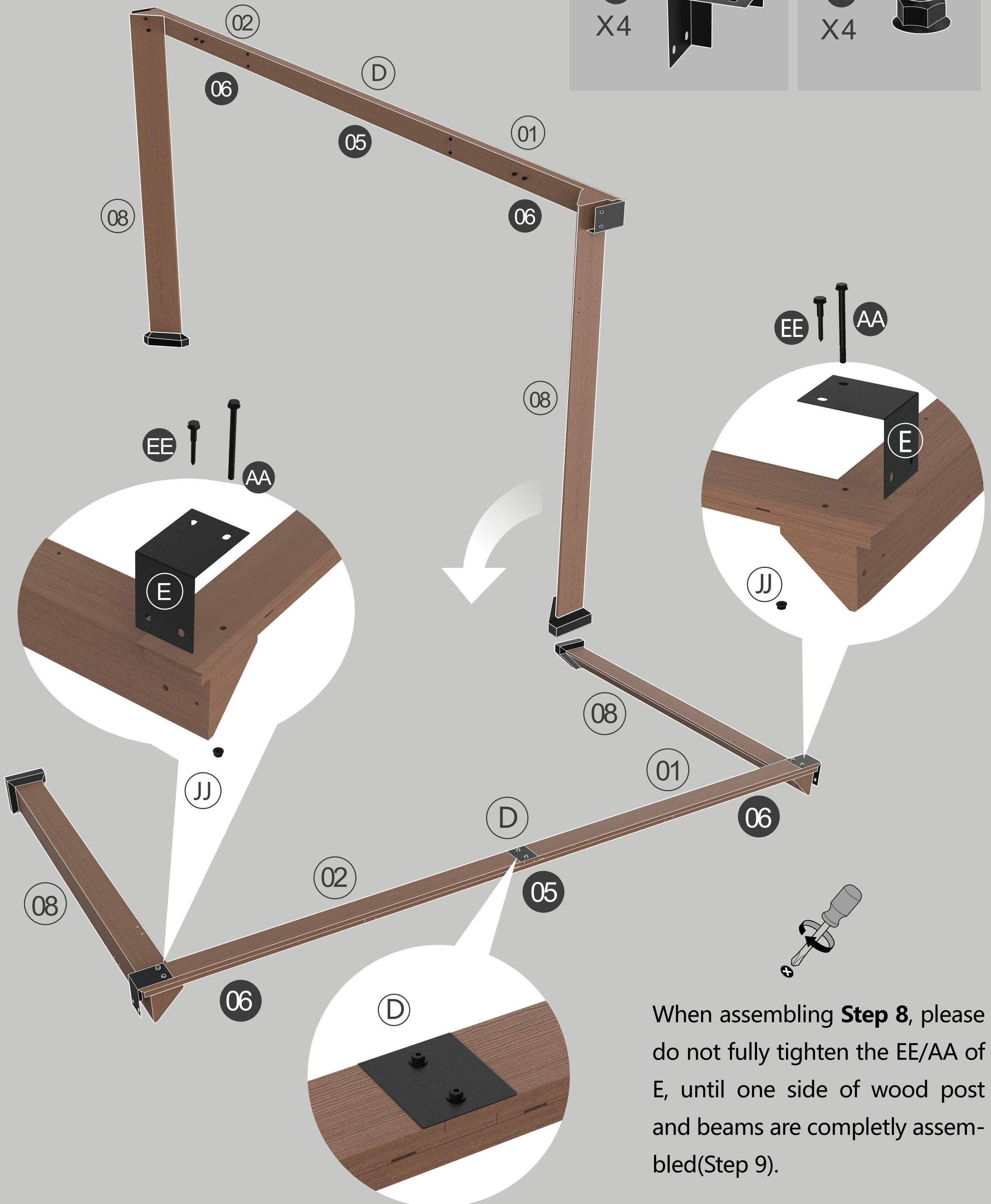
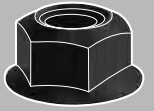
EE
X4



E
X4


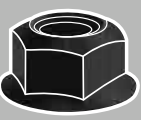



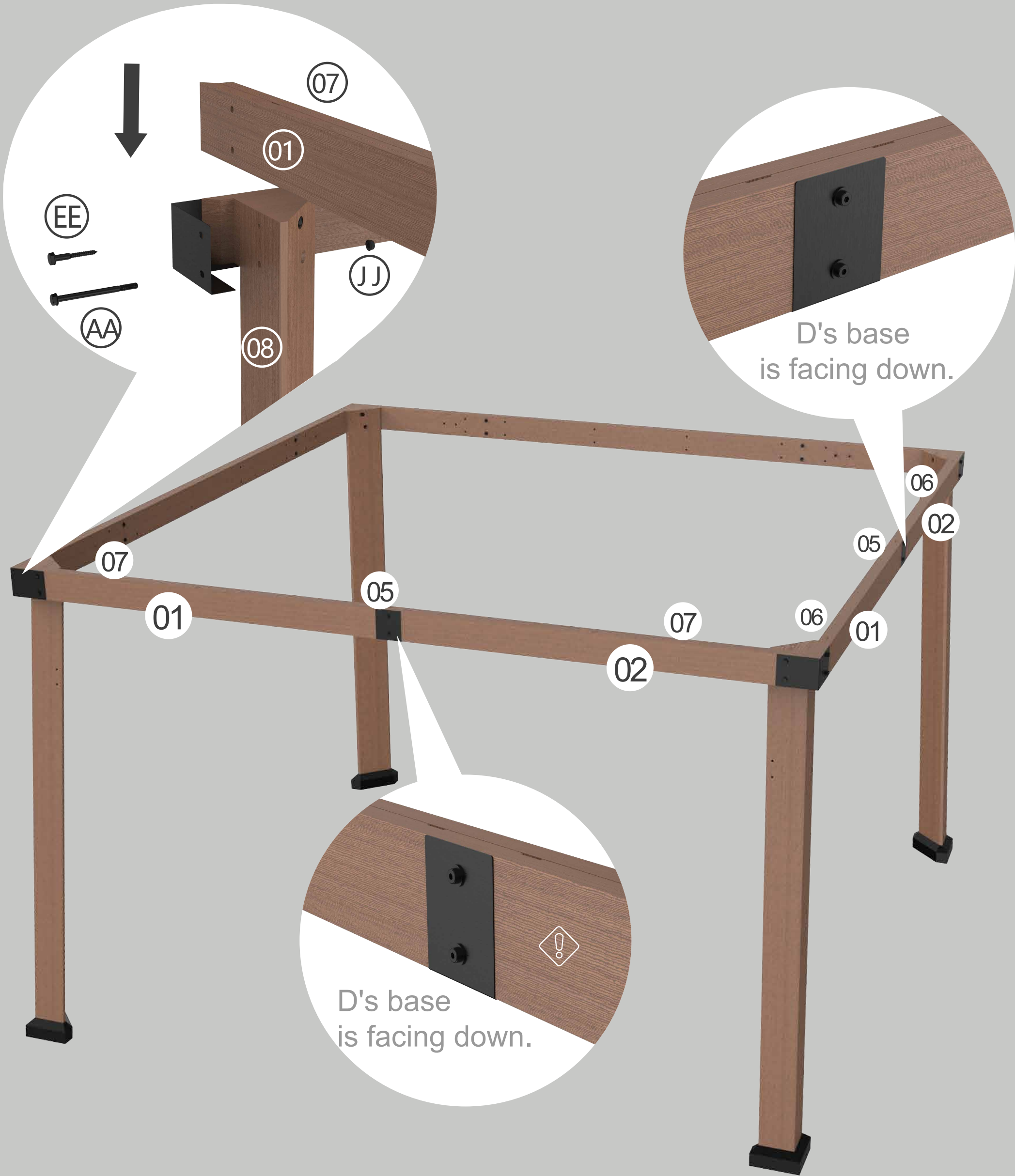
JJ
X4



When assembling **Step 8**, please do not fully tighten the EE/AA of E, until one side of wood post and beams are completely assembled(Step 9).

Step 8

EE X4		JJ X4	
AA X4			

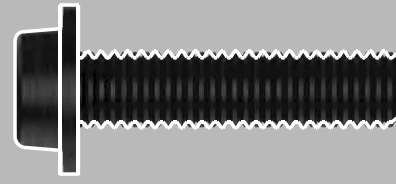


Step 9

10
X4



GG
X16



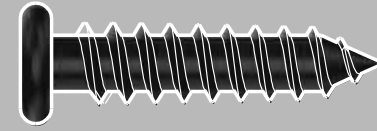
LL
X16



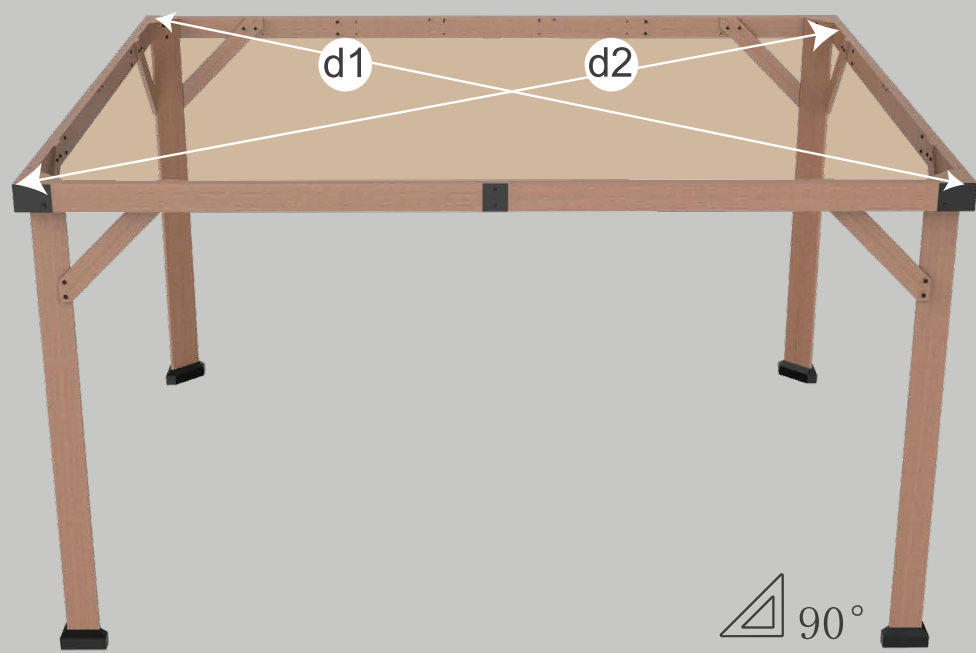
11
X4



FF
X16

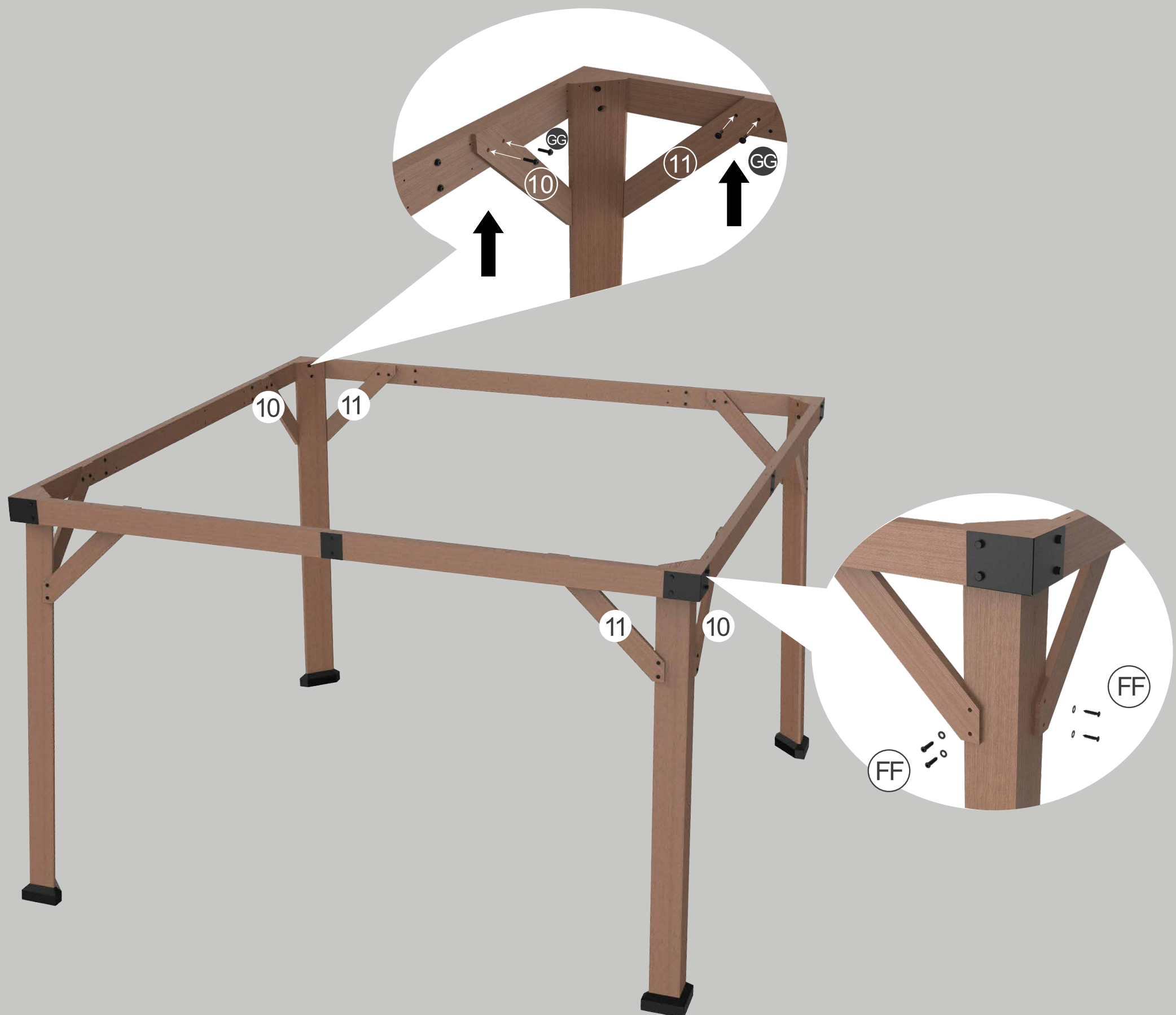


! d1 = d2



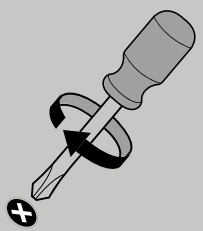
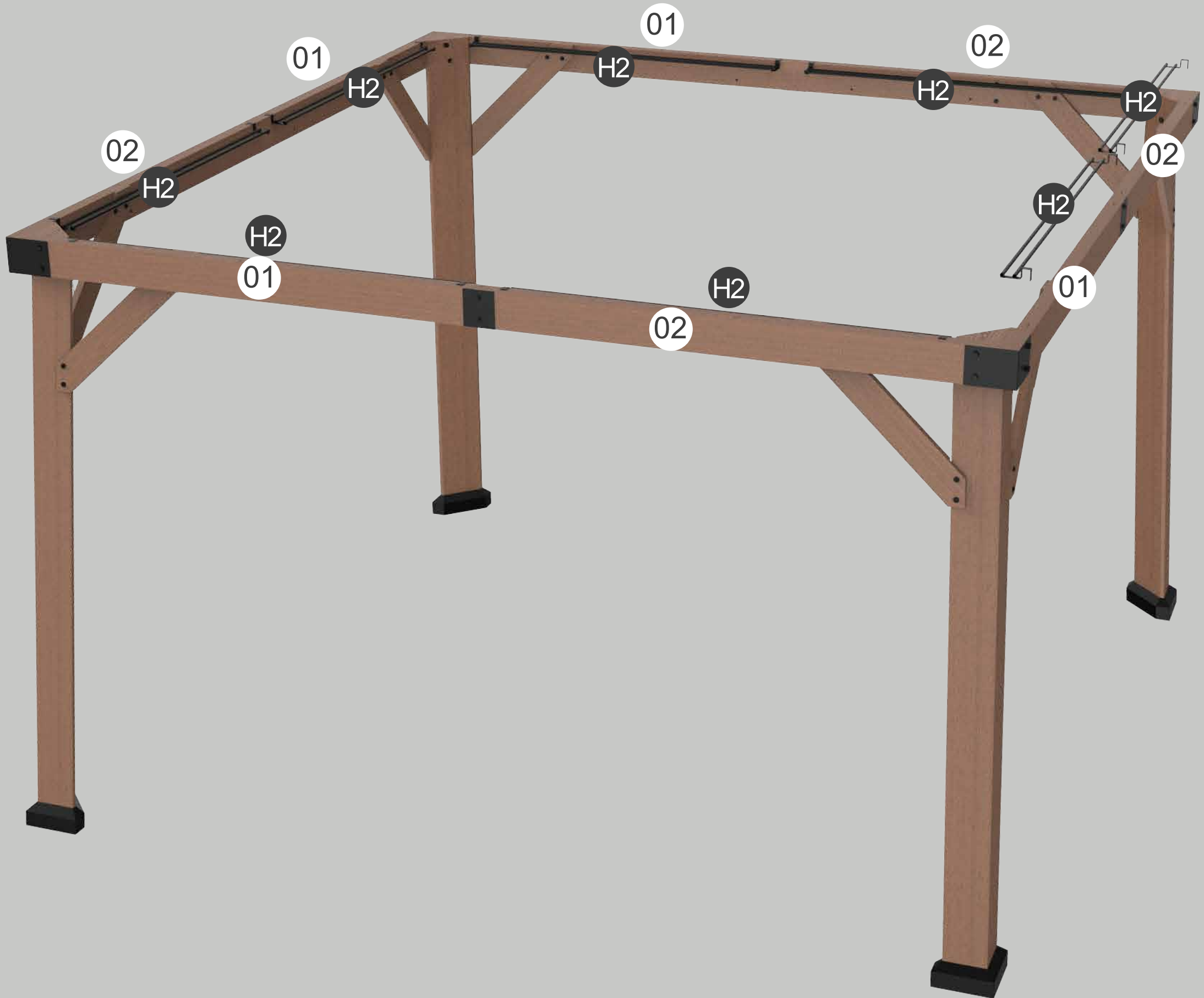
Tips:

Please measure to make sure *the length of d1 is equal to d2* before moving to next step to ensure a square frame and best results. Keep the beam at right angles to the post, the post at right angles to the ground, and keep the beam horizontal.



Step 10

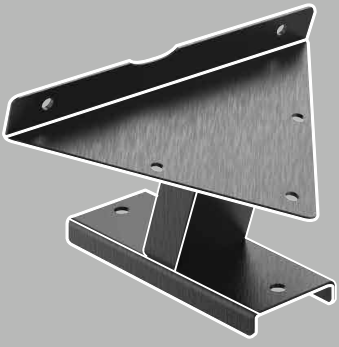
H2
X8



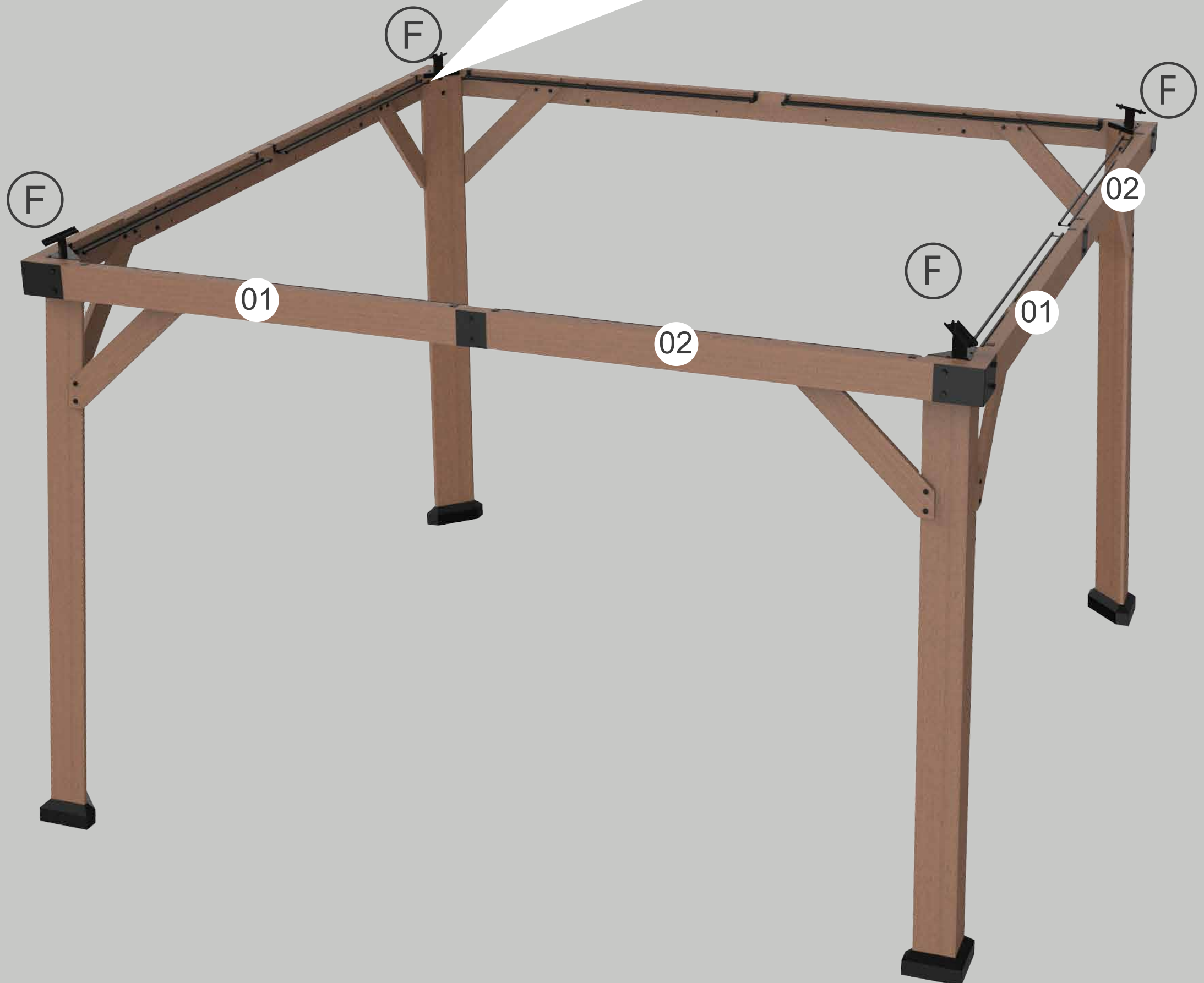
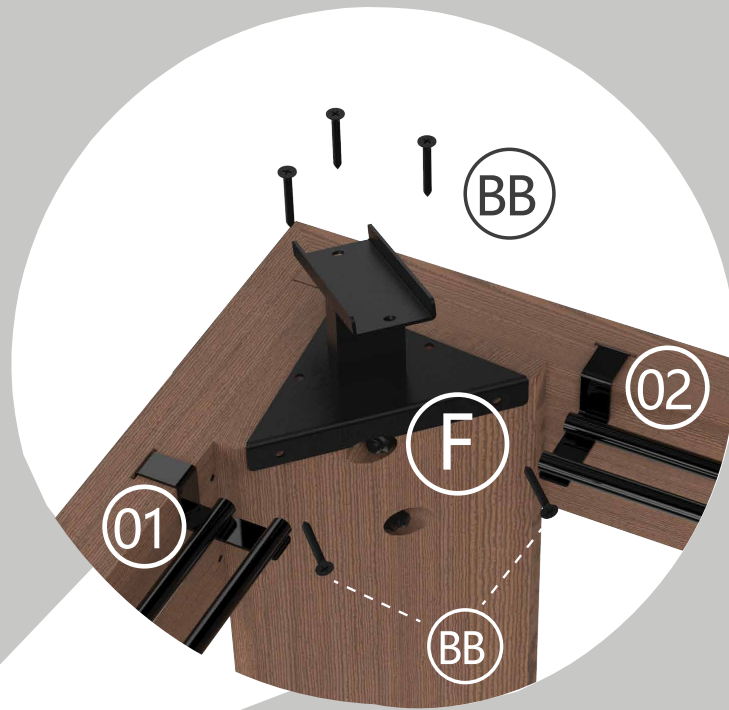
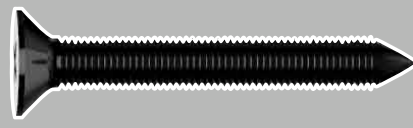
When assembling **Step 10**, the EE/AA of E and D need to be loosened a bit, then tighten them once finishing assemble H2.

Step 11

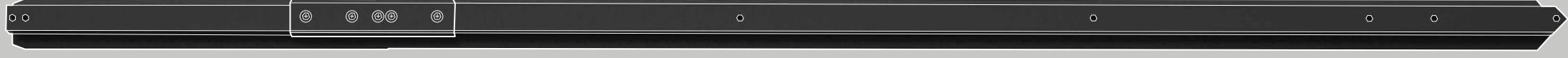
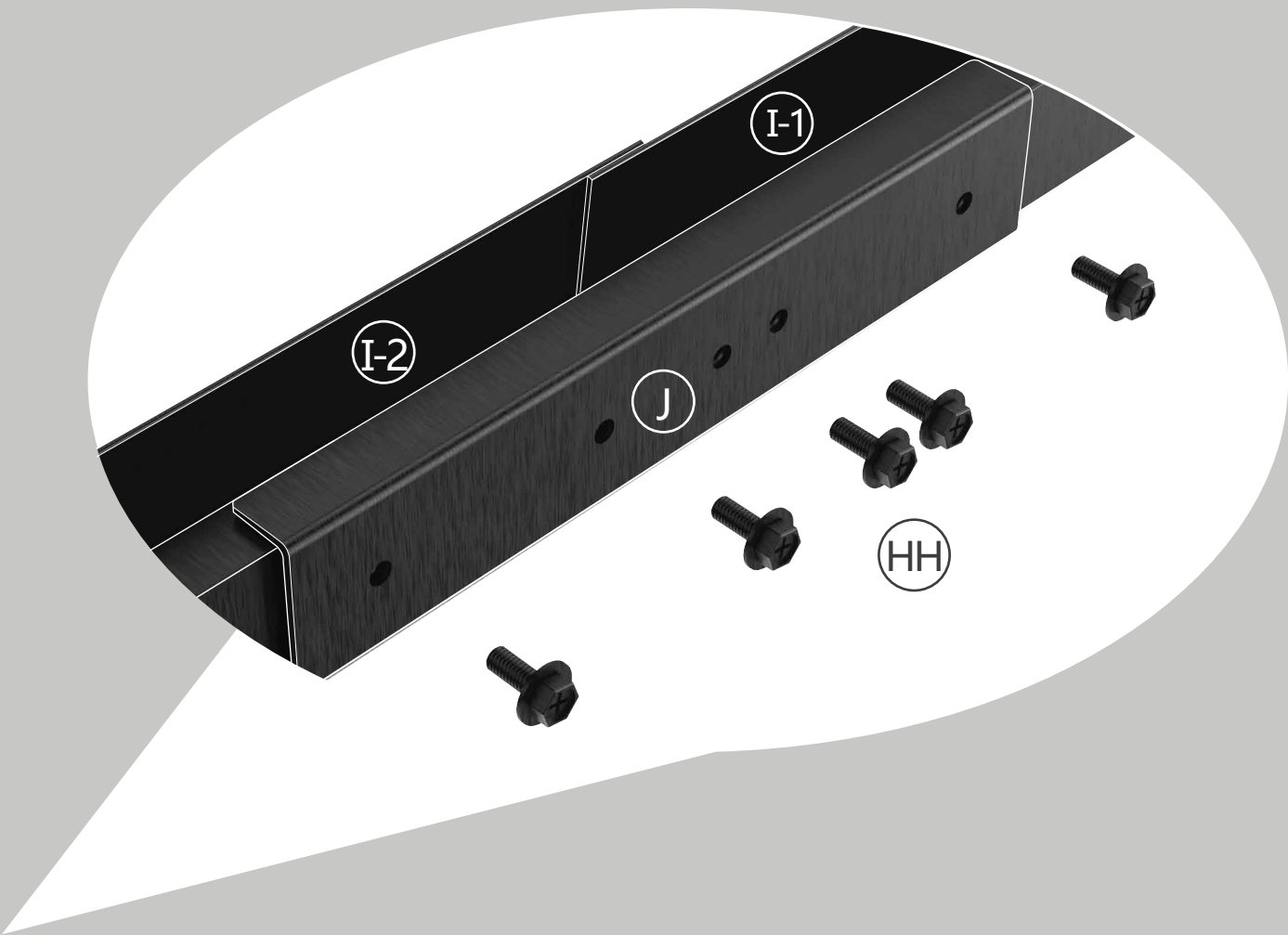
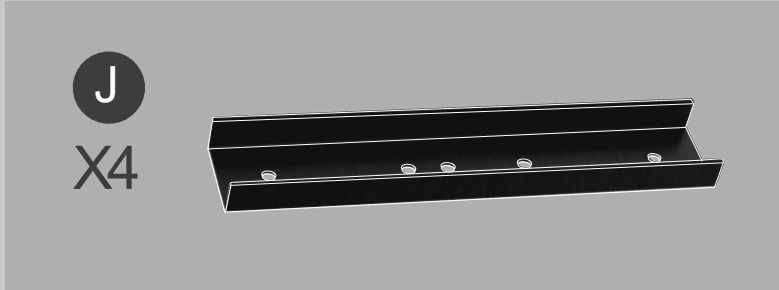
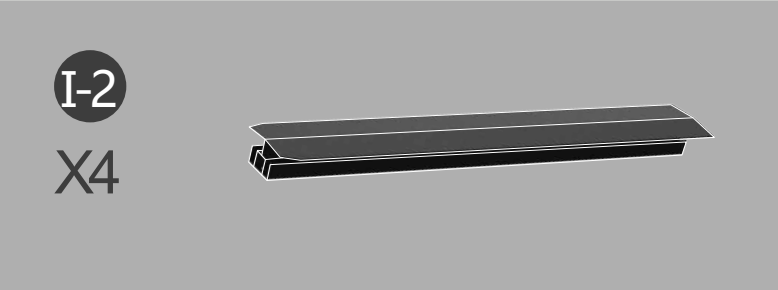
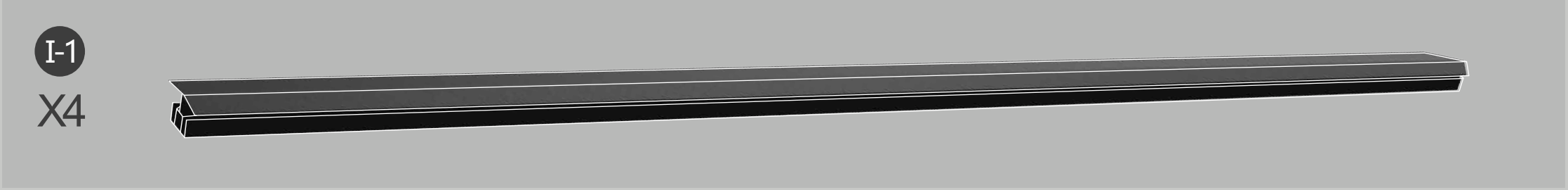
F
X4



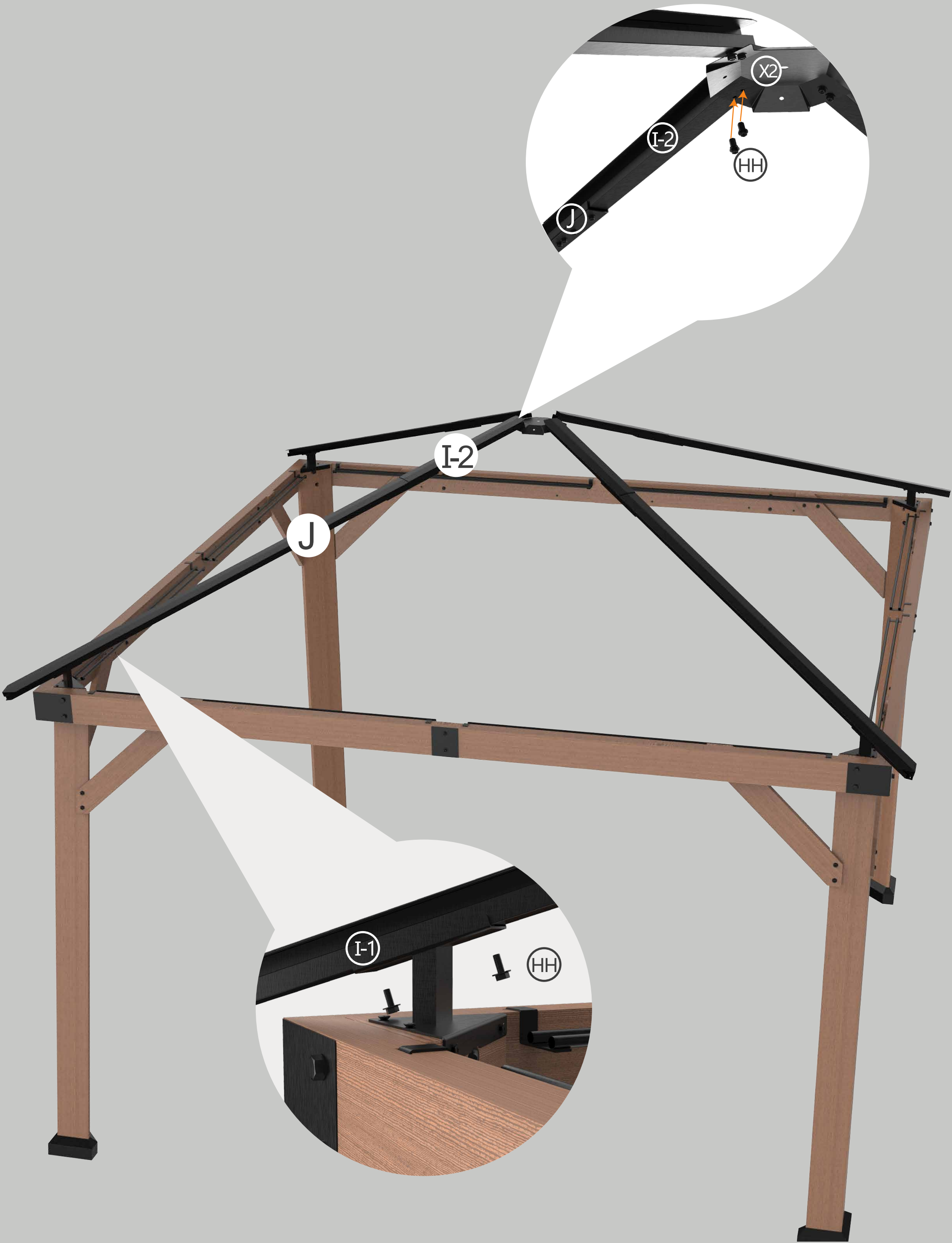
BB
X20



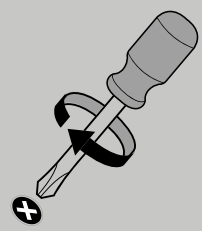
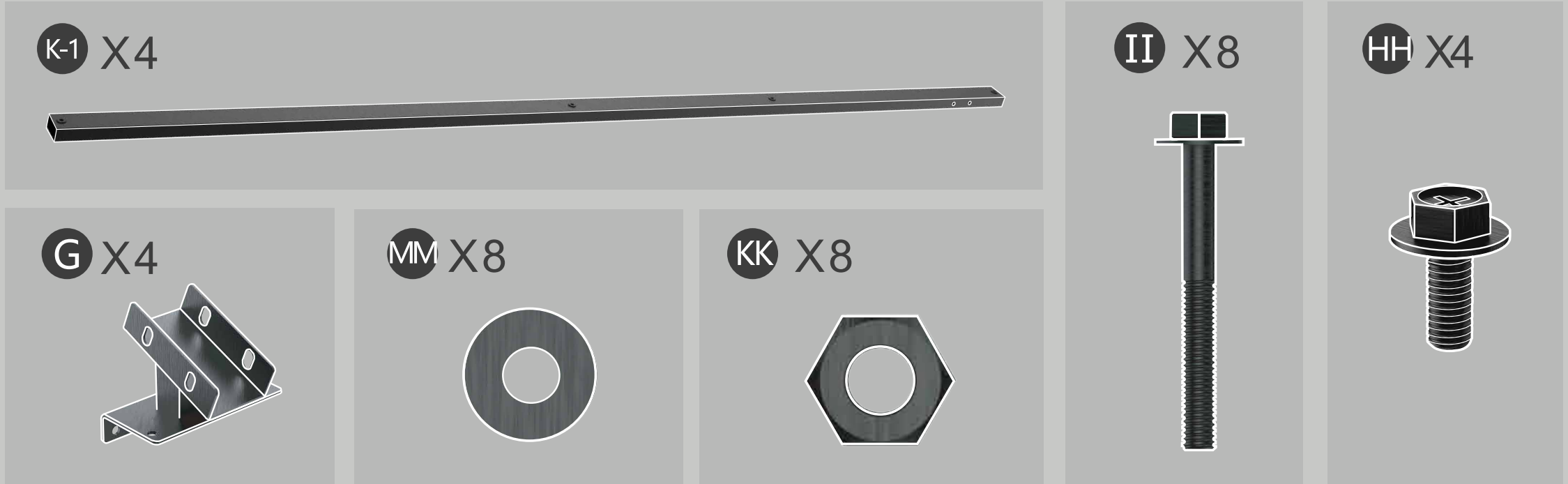
Step 12



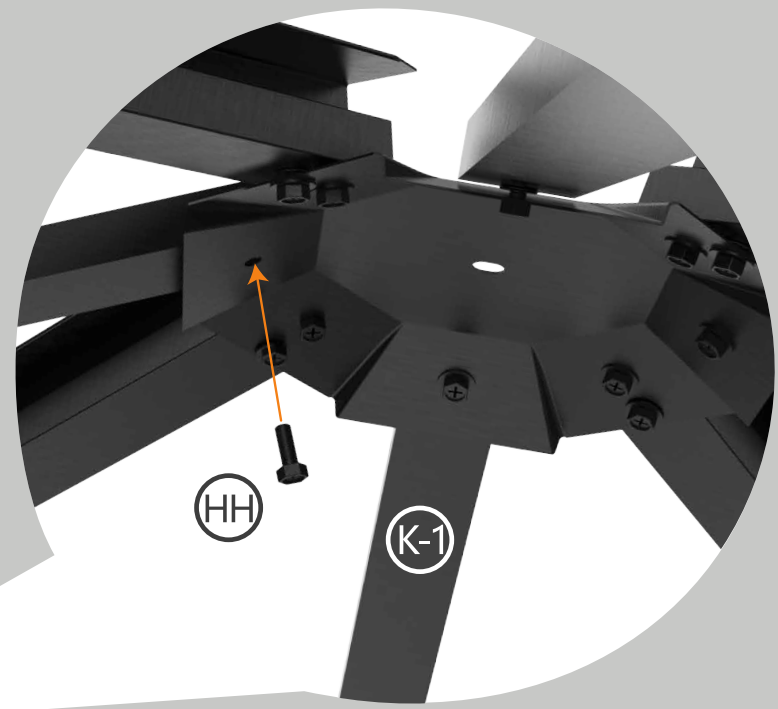
Step 13



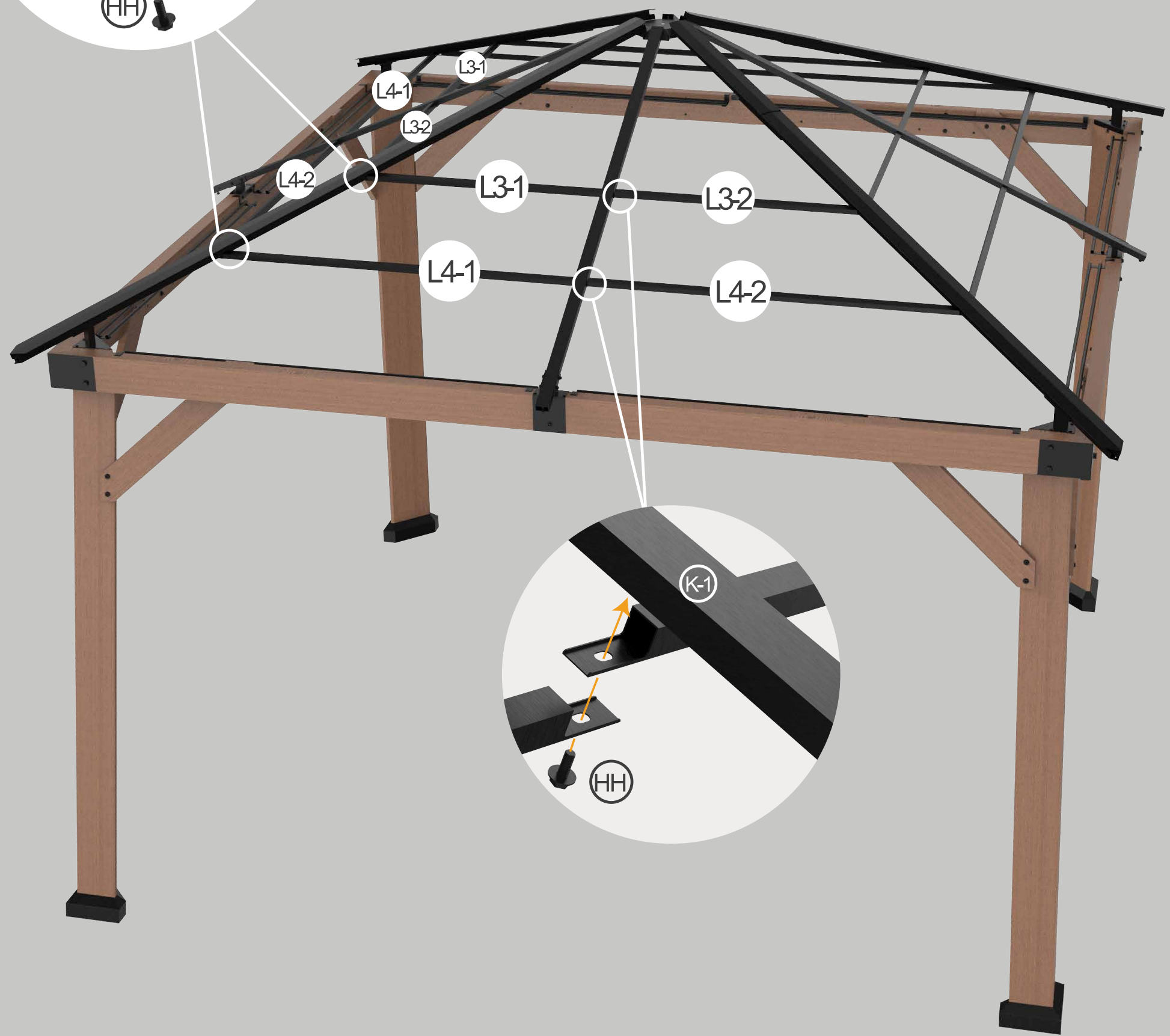
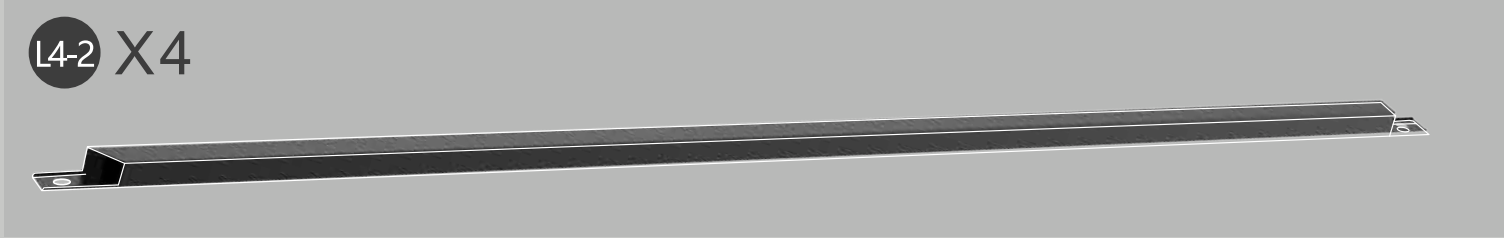
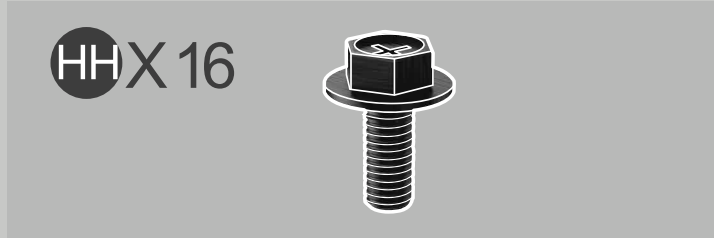
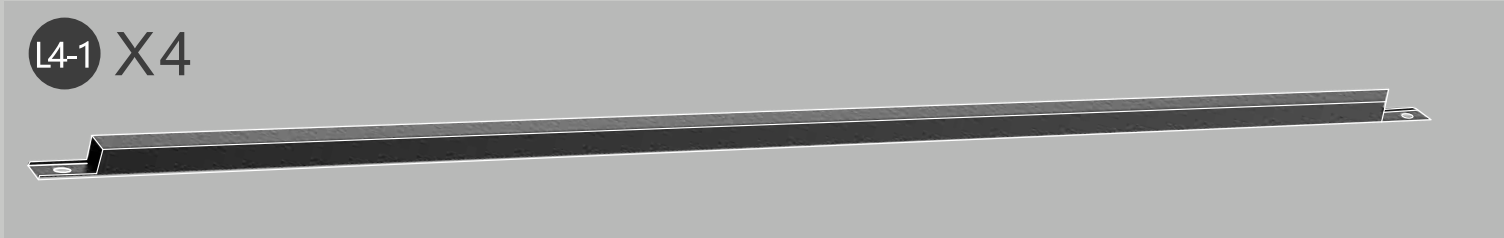
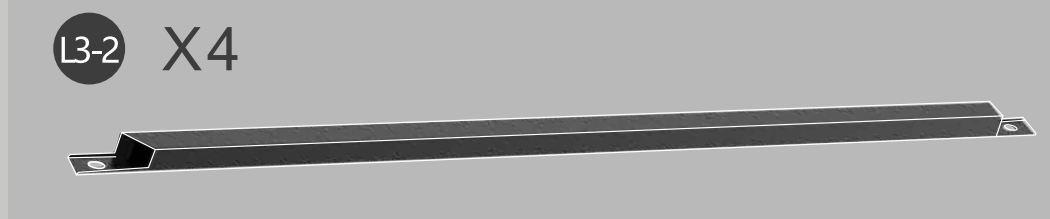
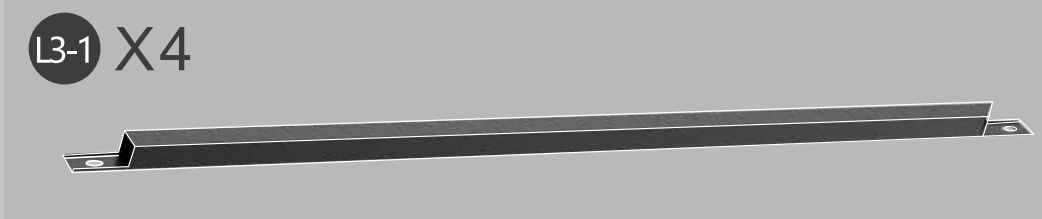
Step 14



When assembling **Step 14**, please do not fully tighten the II and HH, until all the top support parts (K-1, I-1, I-2, J) are completely assembled with the wood.



Step 15

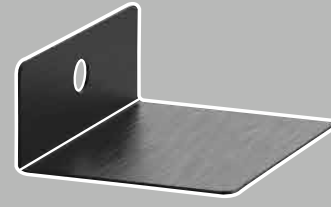


Step 16

L7 X4



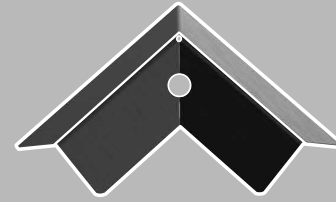
M X4



L8 X4



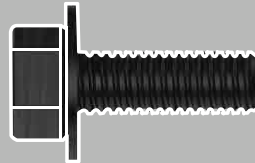
N X4



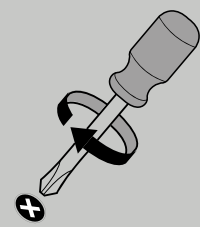
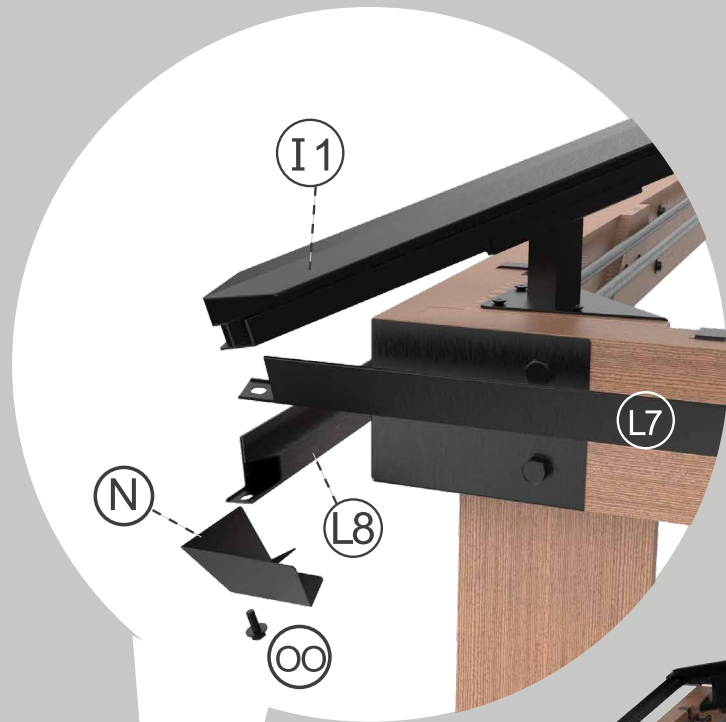
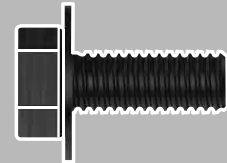
BB X16



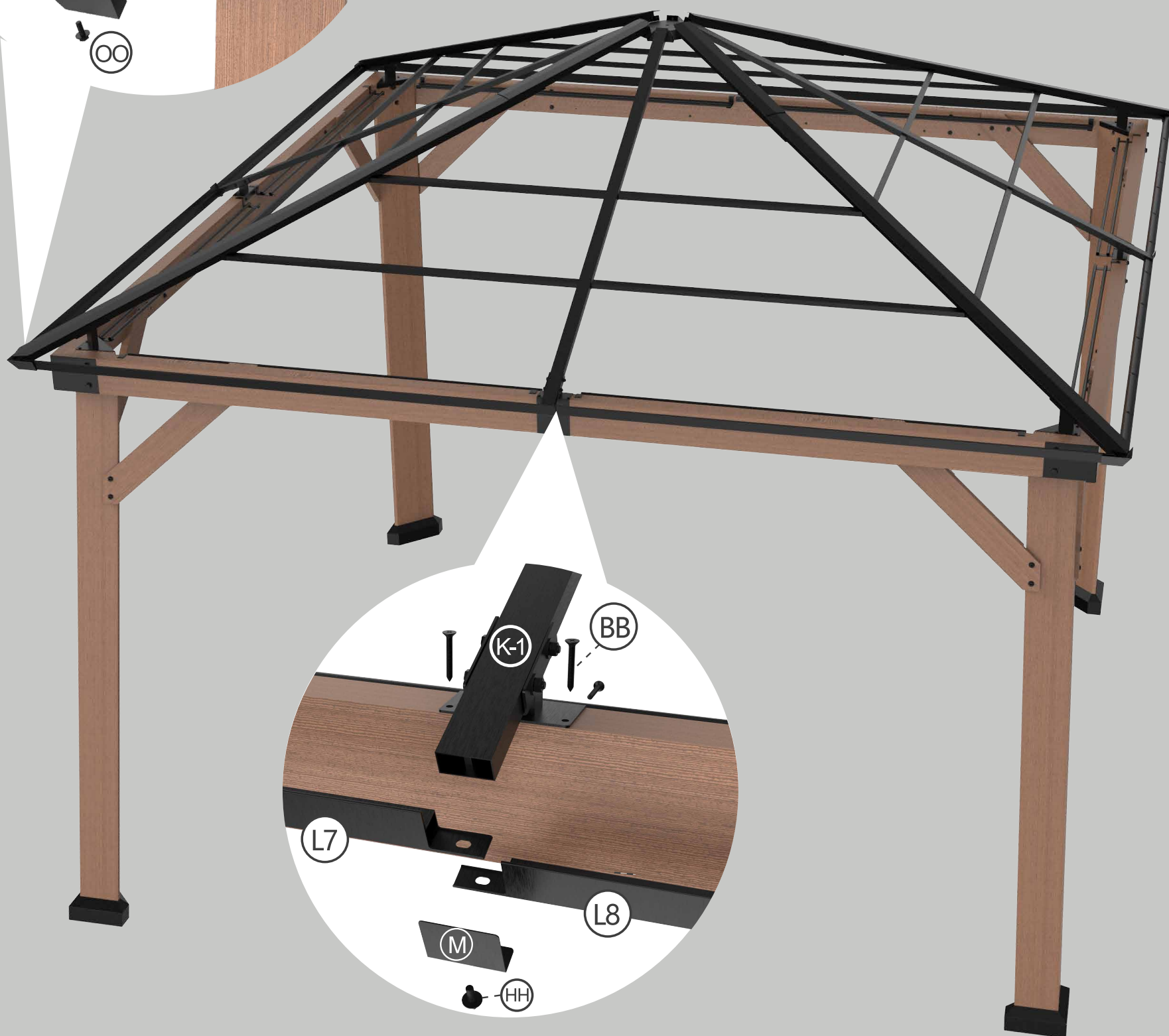
OO X4



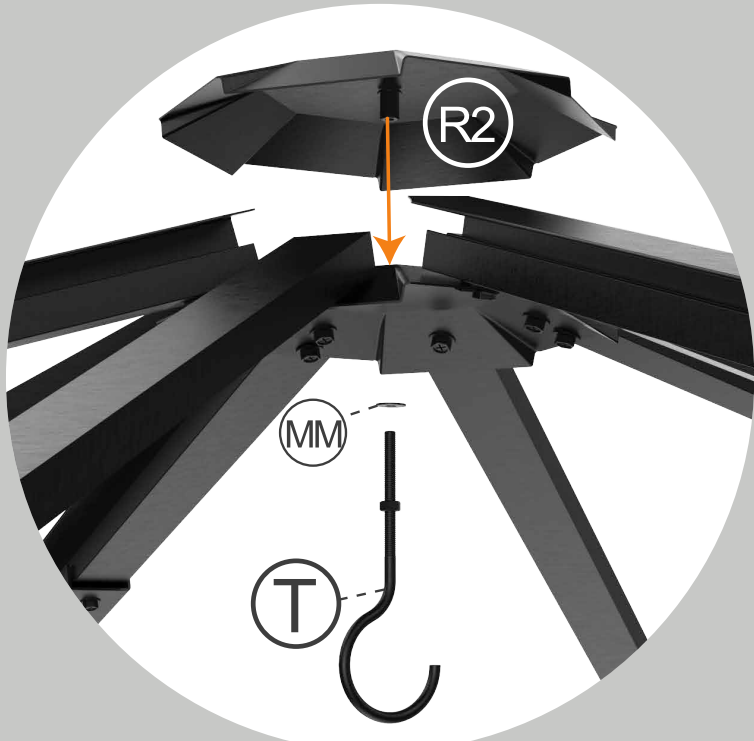
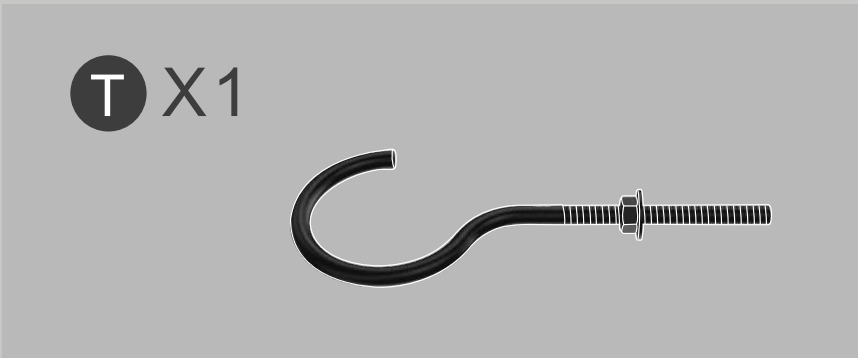
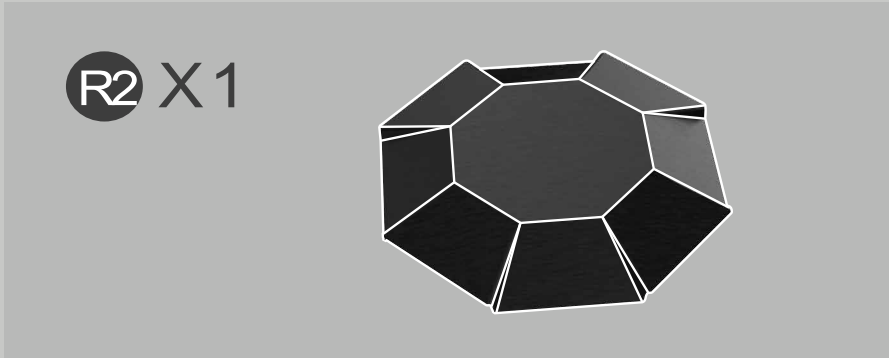
HH X4



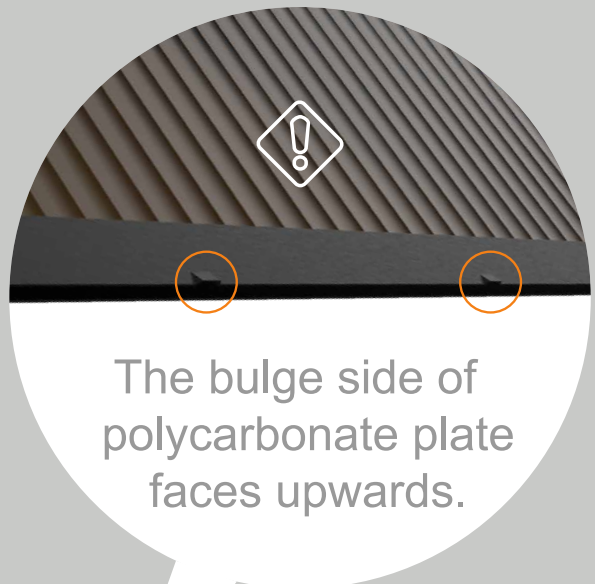
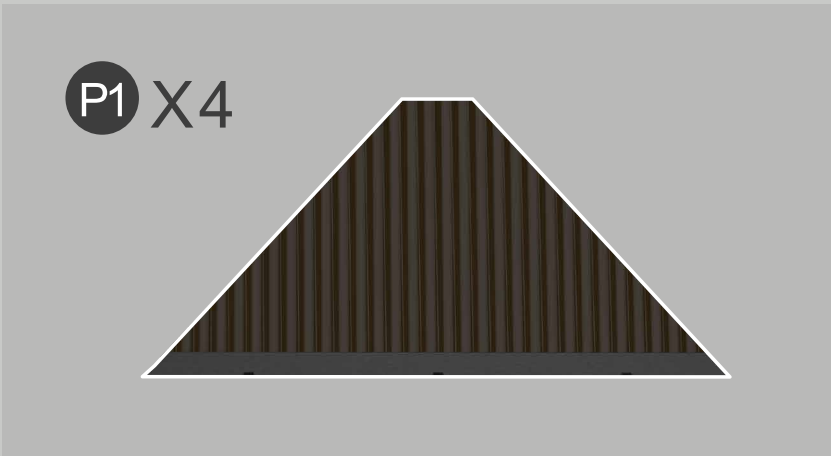
When assembling **Step 16**, please do not fully tighten the OO/HH of M and N, until each L7 and L8 are connected. Then tighten BB.



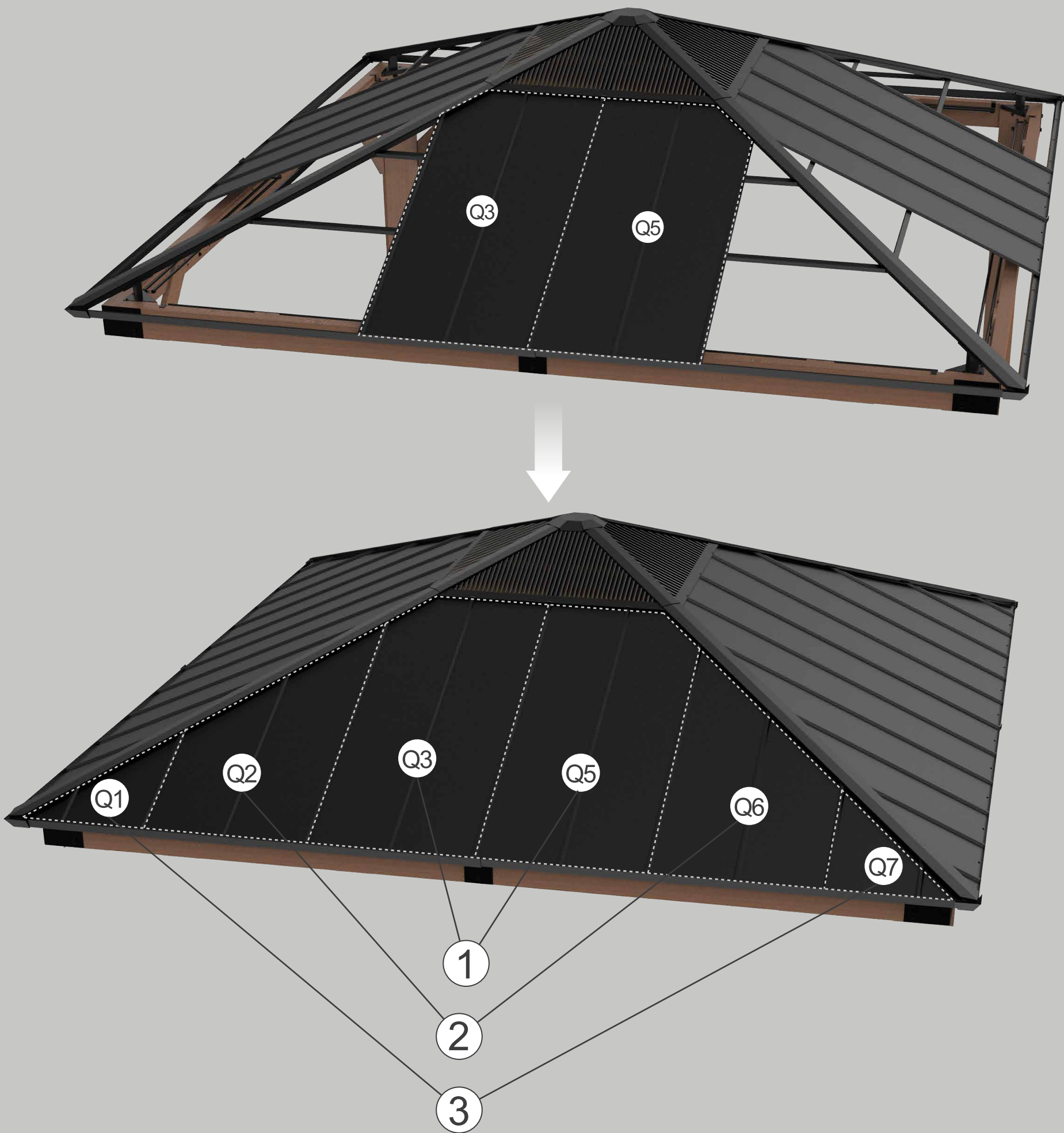
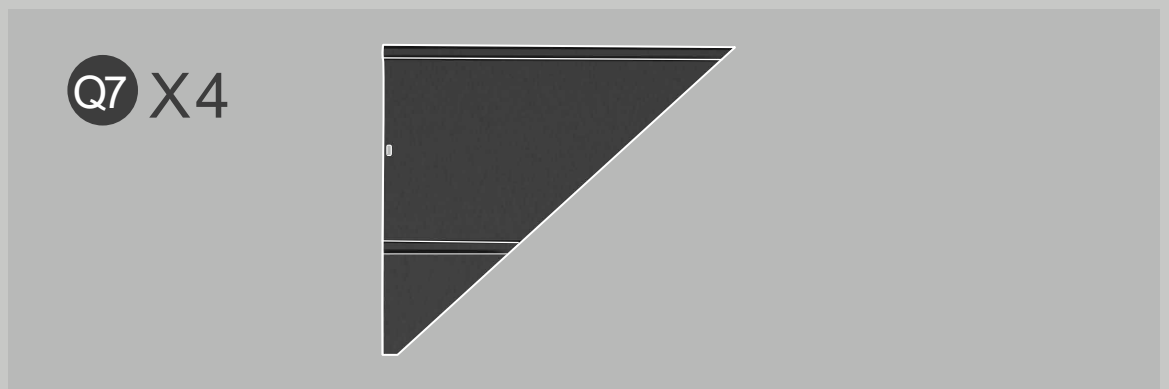
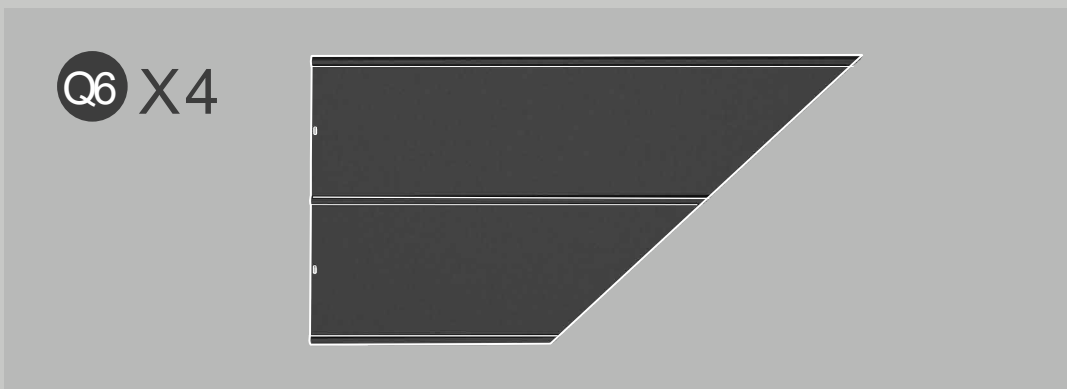
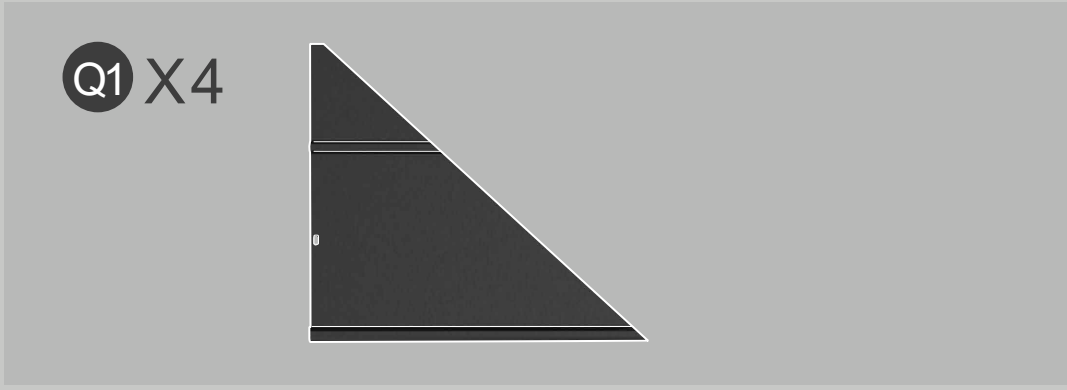
Step 17



Step 18



Step 19

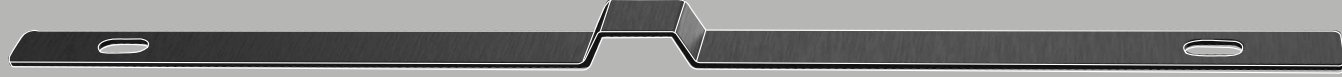


Step 20

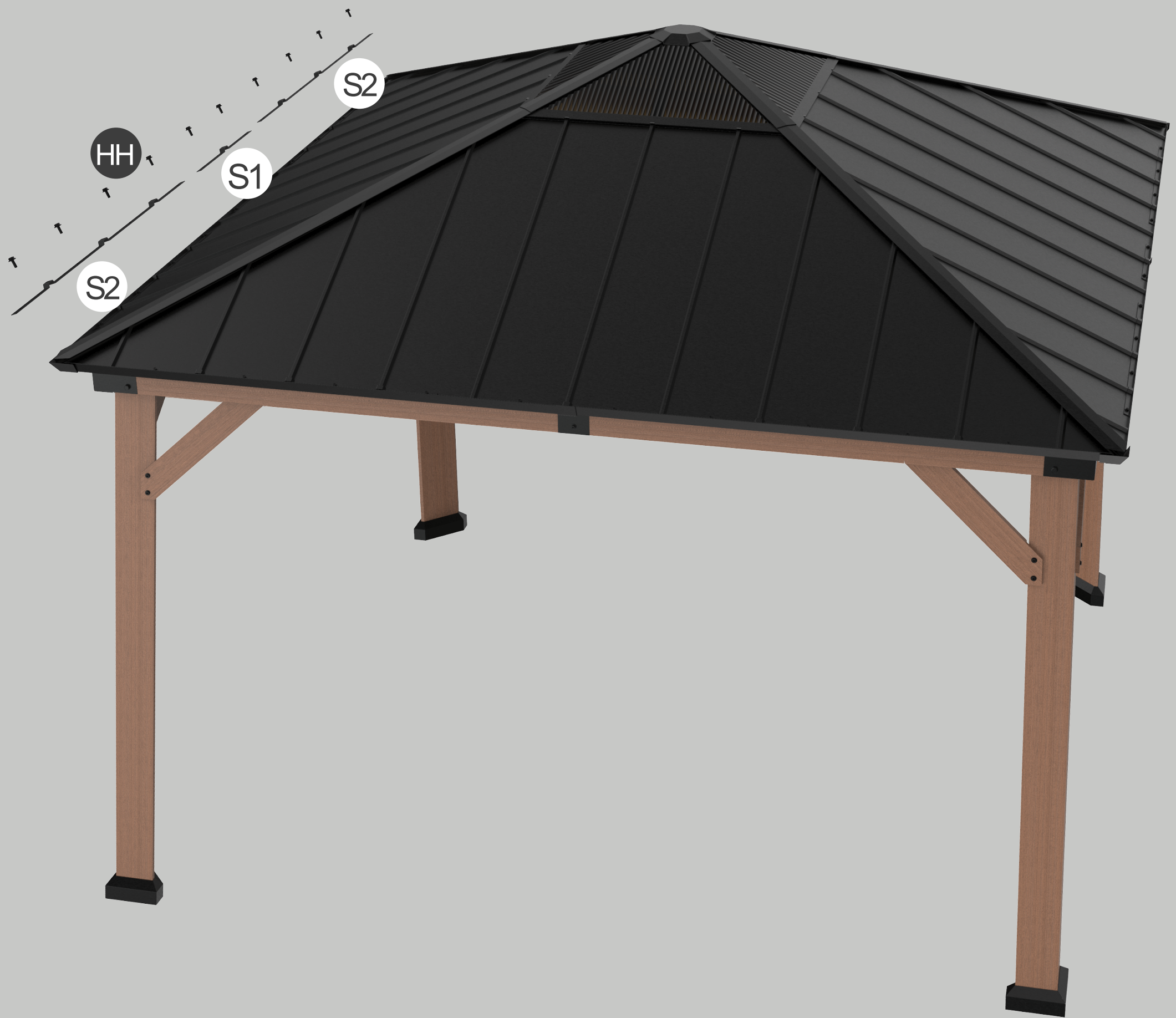
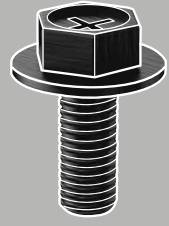
S2 X8



S1 X4

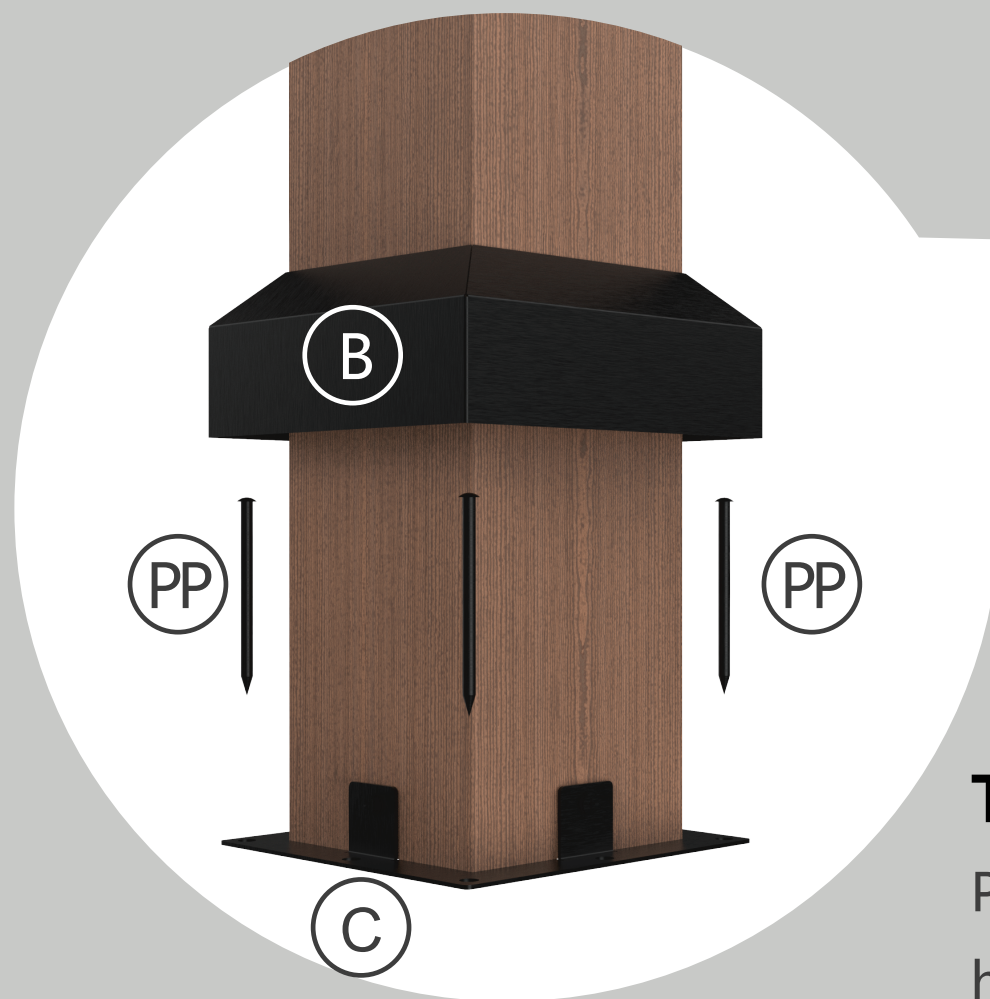


HH
X40



Step 21

PP X12



Tips:

Please purchase the anchors from local hardware store if anchor the gazebo to concrete or wood.

11'x 11' Outdoor Hardtop
Wood Framed Gazebo





OUTDOOR GAZEBO



Always be creative.